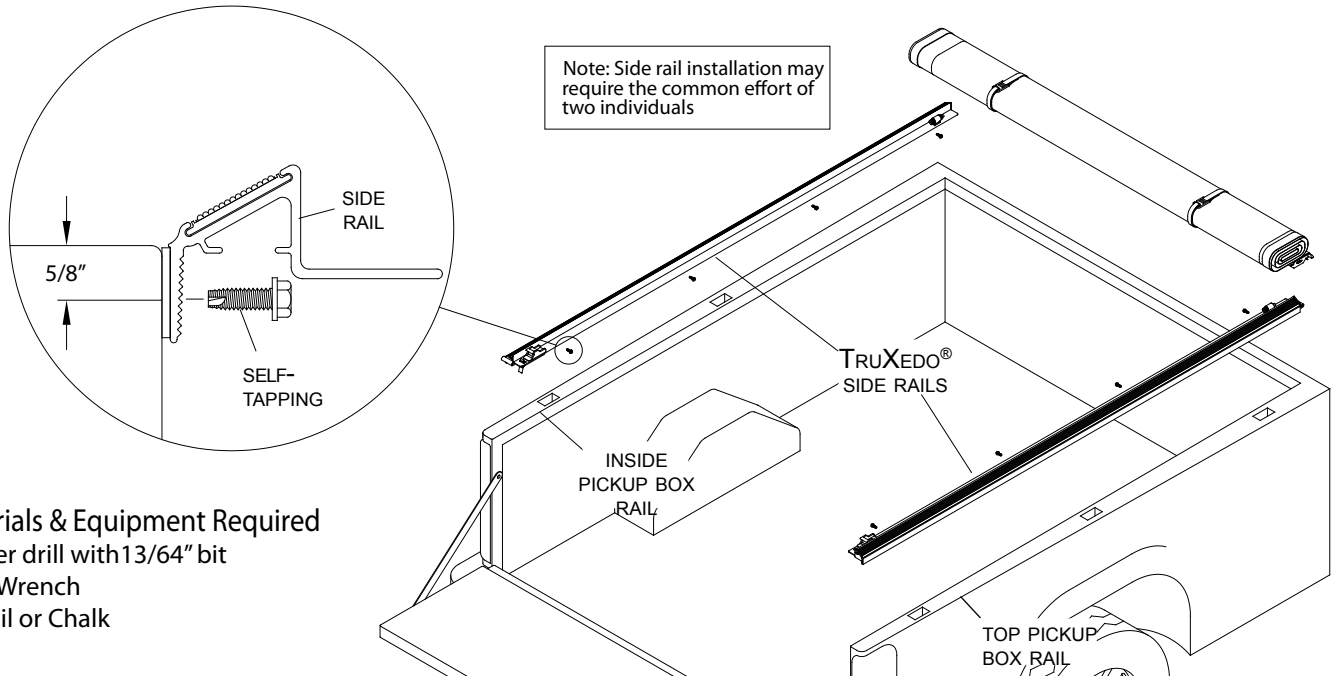


# Chevy/GMC Stepside Instructions

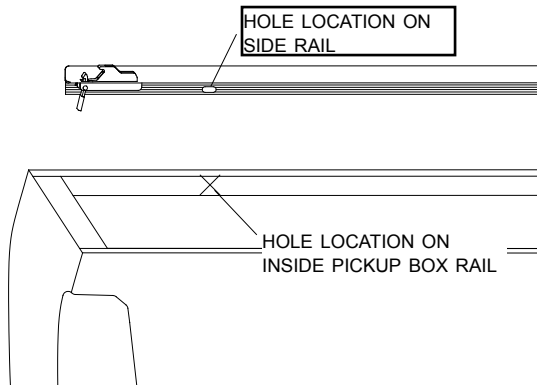
This instruction sheet explains the unique procedures required to install your TruXedo Lo Pro® kit on your Chevy/GMC Silverado/Sierra Stepside pickup truck. Eight self-tapping screws replace the standard clamp assemblies in your TruXedo LoProfile® kit, which will secure the side rails to the pickup box.



## Materials & Equipment Required

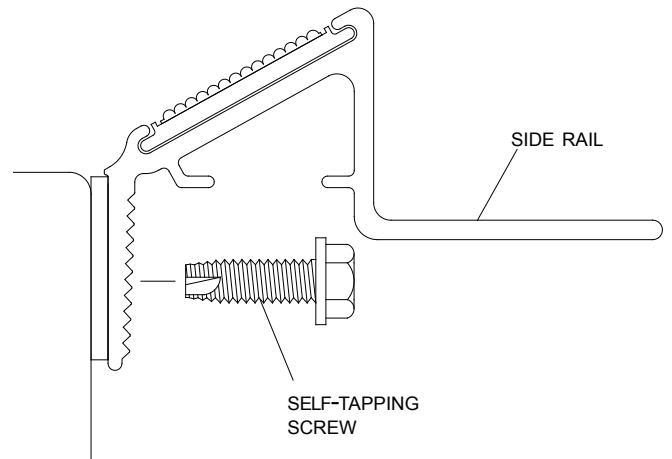
- Power drill with 13/64" bit
- 3/8" Wrench
- Pencil or Chalk

**STEP 1:** TruXedo® Lo Profile side rails have four pre-punched mounting holes. Hold side rails against front of box, keeping offset portion of rail flush with top rail of box. Chalk mark locations of four holes on inside of pickup box, using mounting holes as guides.



**STEP 2:** Make sure hole locations are about 5/8" down from top edge of pickup box. Drill 13/64" holes at marked locations.

**STEP 3:** Fasten aluminum side rails to inside of pickup box with self-tapping screws. Refer to TruXedo Lo Pro® manual for complete assembly instructions.



## TruXedo, Inc.

P.O. Box 1078, 2209 Kellen Gross Dr., Yankton, South Dakota 57078

Call Toll Free: 1-877-TRUXEDO (1-877-878-9336) Fax: (605) 664-9304 Visit Us Online: <http://www.truxedo.com>

**TRUXEDO**  
Lo-Pro-QT<sup>®</sup>  
Patented

P/N 1115364 Rev - C