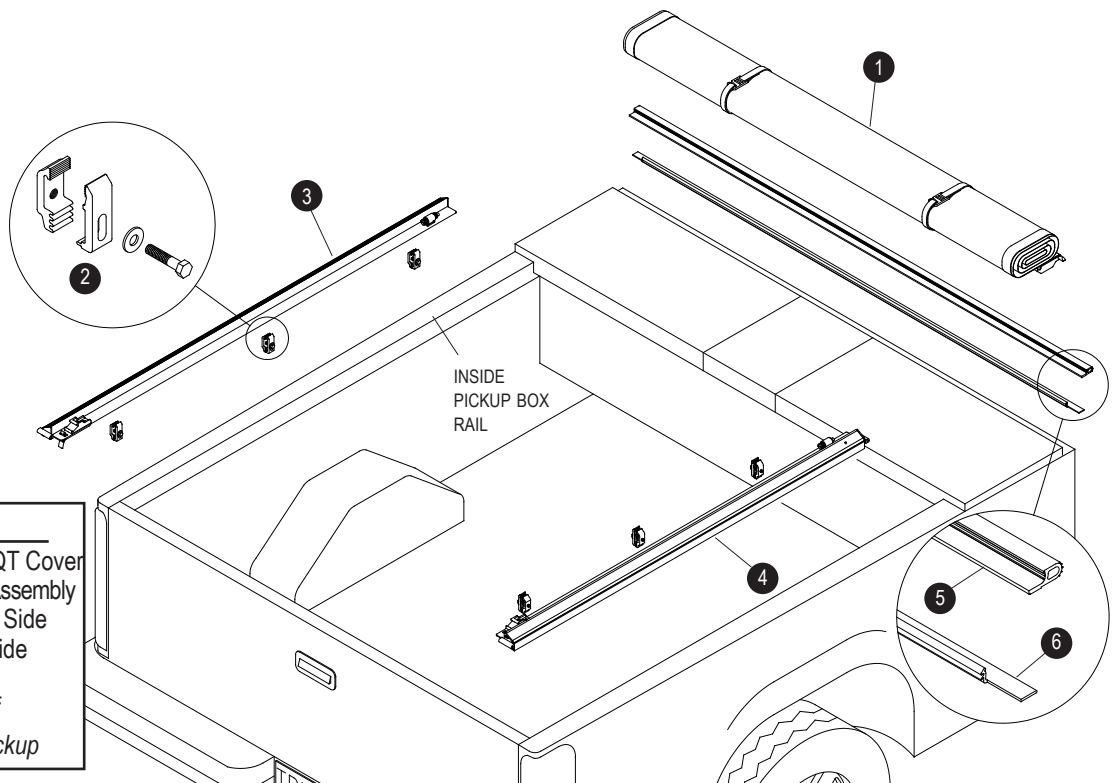


# TRUXEDO® LO PRO QT TOOLBOX INSTRUCTIONS

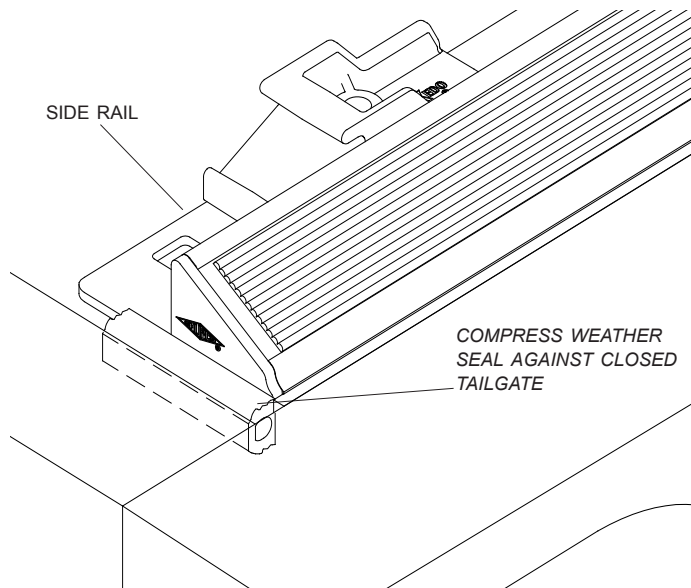


Item	Part #	Description
1.	*	TruXedo® Lo Pro QT Cover
2.	1115191	Lo Pro QT Clamp Assembly
3.	*	Side Rail, Driver's Side
4.	*	Side Rail, Pass. Side
5.	1703656	Rubber D-Seal
6.	1703655	Header Seal Shelf

\* Specify make and model of pickup

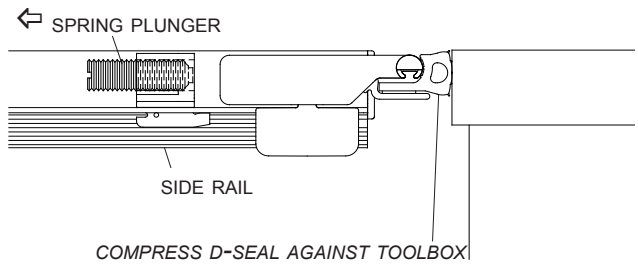
**IMPORTANT:** Toolbox must be anchored securely to pickup bed before installing cover assembly.

**STEP 1:** Install side rails as shown, refer to Steps 1-2 in the TruXedo® Lo Pro QT owner's manual, **except**, position the end of the TruXedo rail at the rear of truck bed, compressing weather seal 3/16" against tailgate.



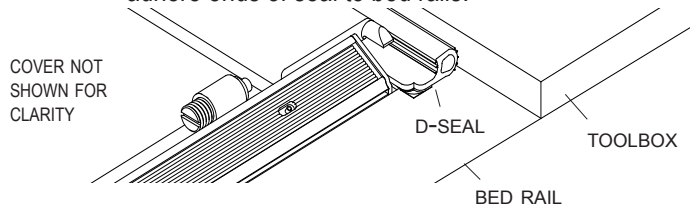
**STEP 2:** Back spring plungers out. Place cover assembly across pickup bed, between side rails and toolbox. If D-seal is not compressed against toolbox, move side rails toward cab.

**NOTE:** In order for the D-seal to perform as a water barrier, it must be compressed against the toolbox.



**STEP 3:** Follow instructions in TruXedo® Lo Pro QT owner's manual to re-adjust tension, and to complete installation of cover assembly.

**STEP 4:** Clean pickup bed rail. Remove backing from ends of D-seal, and press ends of seal onto pickup bed rails to adhere ends of seal to bed rails.



**TruXedo, Inc.**

P.O. Box 1078, 2209 Kellen Gross Dr., Yankton, South Dakota 57078

Call Toll Free: 1-877-TRUXEDO (1-877-878-9336) Fax: (605) 664-9304 Visit Us Online: <http://www.truxedo.com>

**TRUXEDO**  
Lo Pro QT

P/N 1116254 Rev D