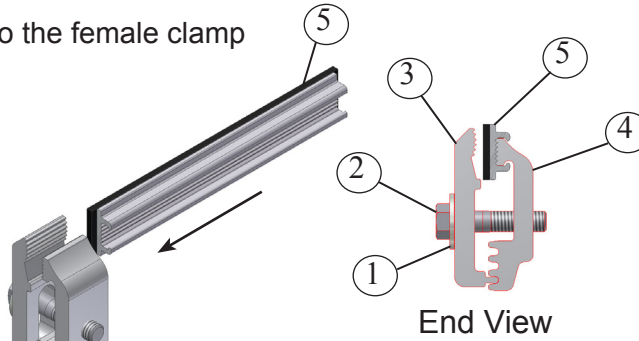


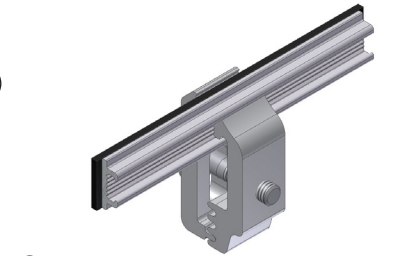
TONNEAUMATE CLAMP EXTENSION

1 Slide clamp extension on to the female clamp half.

Item	Part #	Description
1.	1700429	Flat Washer, 3/8"
2.	1700369	Cap Screw, 3/8"
3.	1703254	Male Clamp
4.	1703253	Female Clamp
5.	1117577	Clamp Extension
	(1115191)	Assembled Clamp

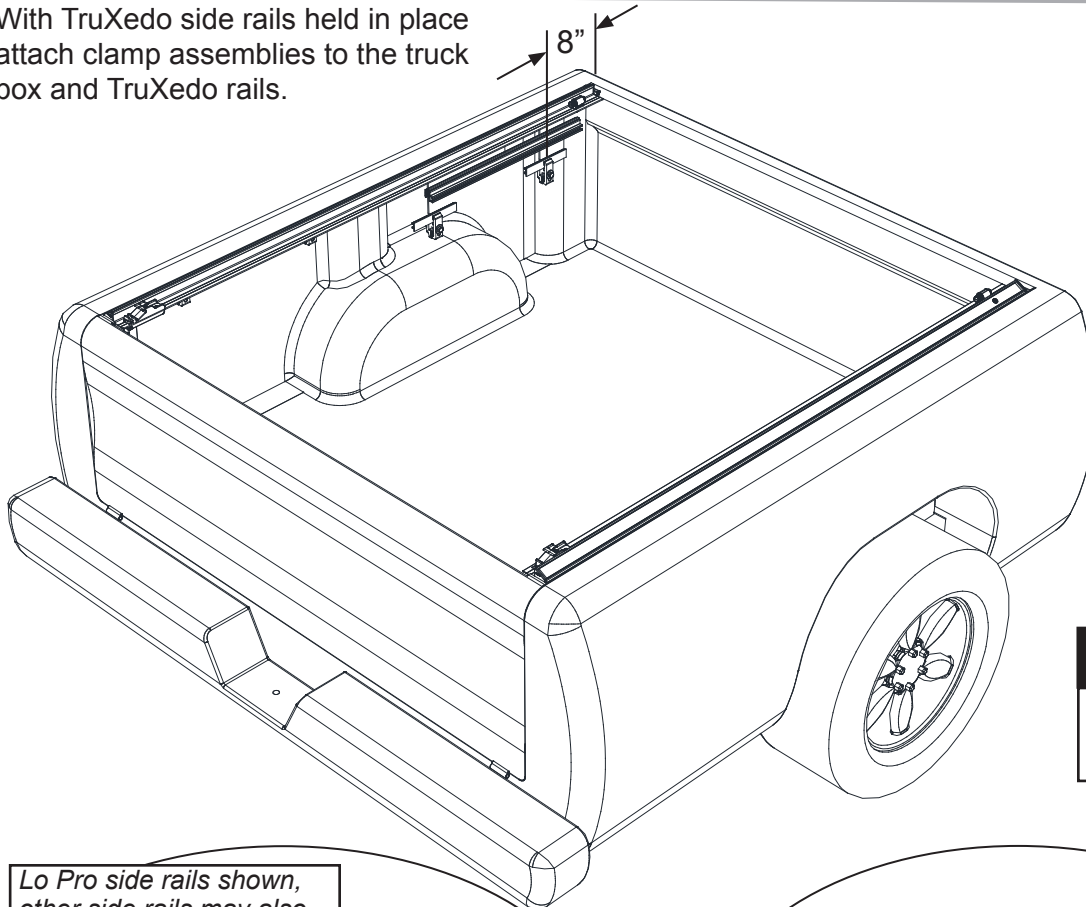


End View



Clamp Extension Assembled and Centered On Clamp.

2 With TruXedo side rails held in place attach clamp assemblies to the truck box and TruXedo rails.



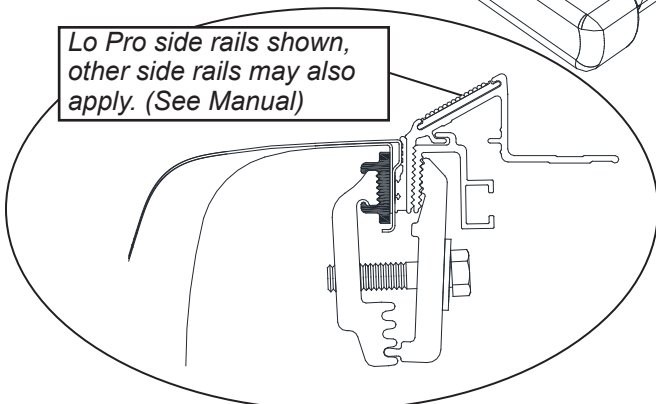
CAUTION

Note: If your truck has aftermarket or factory side rail protectors, use plastic shims, part number 1117097. Failure to do so may cause side rail to not sit level and or could cause damage to the vehicle. Contact customer service for information regarding shim kit 1117097.

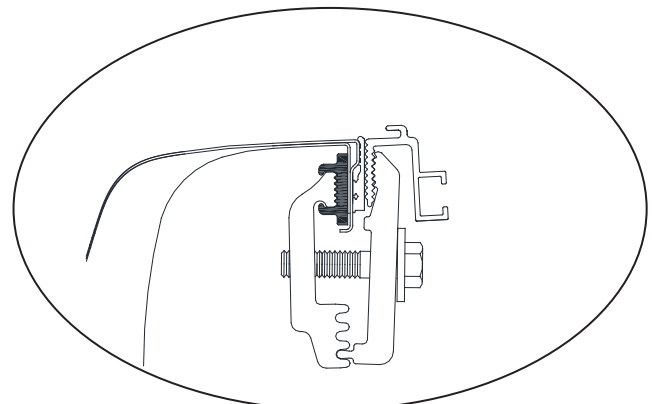
CAUTION

Tighten clamp assemblies securely on side rails before driving vehicle.

Lo Pro side rails shown, other side rails may also apply. (See Manual)



View showing clamp and extension correctly attached to the driver side TruXedo rail and truck box.



View showing clamp and extension correctly attached to the driver side without tonneau cover.

by TruXedo, Inc.

P.O. Box 1078, 2209 Kellen Gross Dr., Yankton, SD 57078

Phone: 877-878-9336 • Fax: (605) 664-9304 www.truxedo.com

TRUXEDO

P/N 1117589 Rev. A