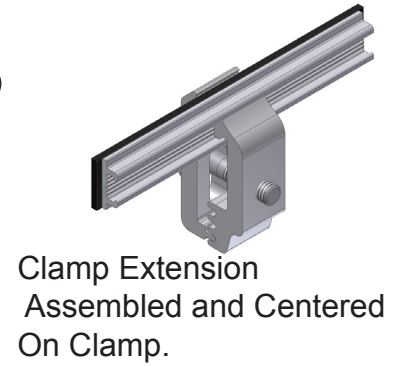
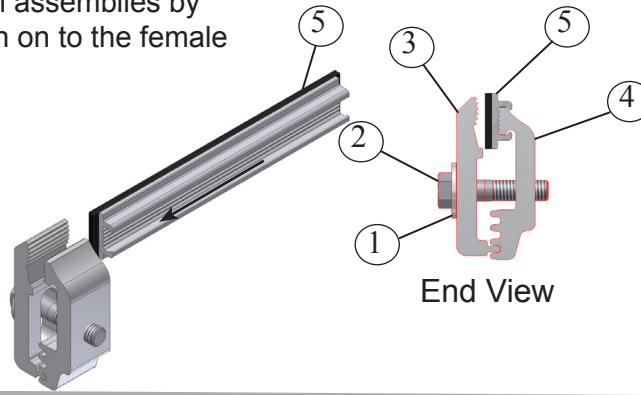


# TRUXEDO® CLAMP EXTENSION AND STAKE POCKET CLAMP

**1** Assemble clamp extension assemblies by sliding the clamp extension on to the female clamp half.

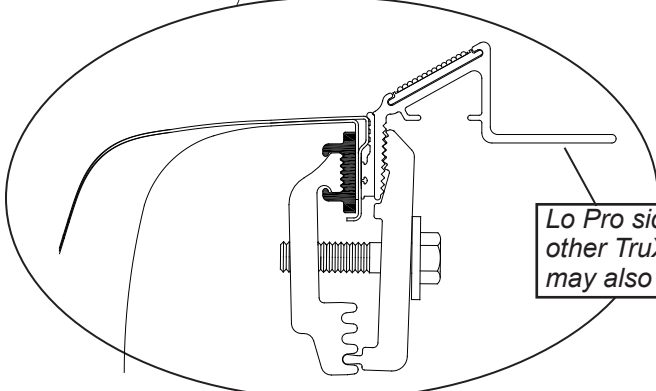
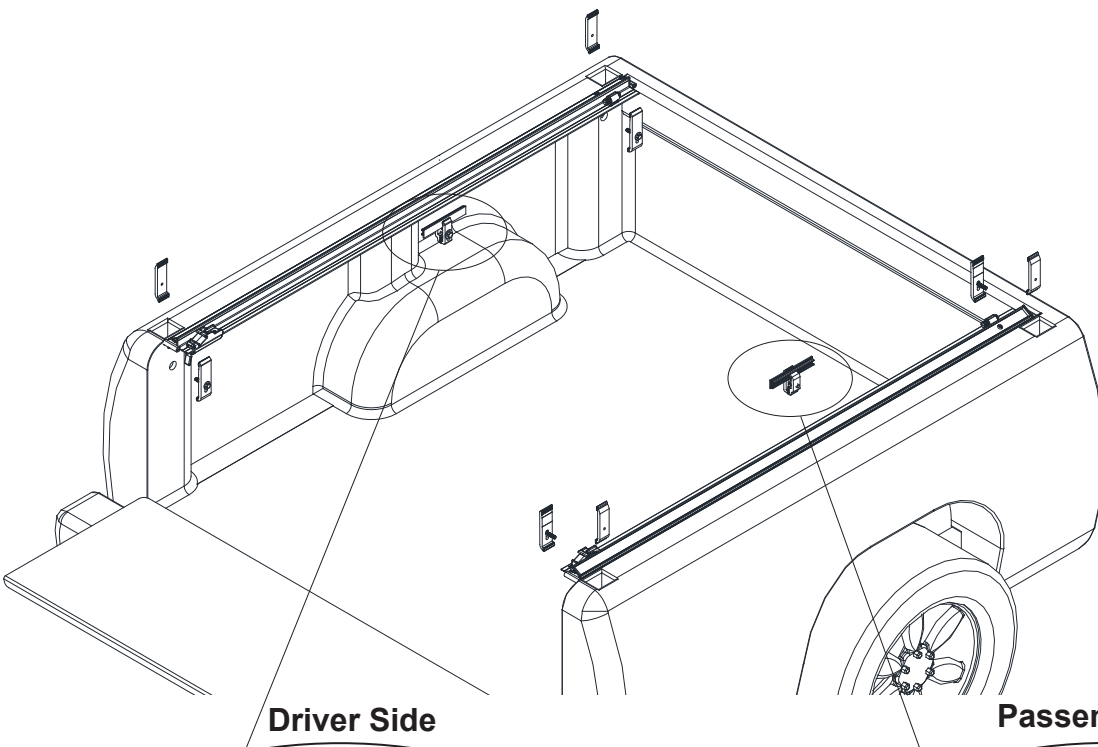
| Item | Part #    | Description       |
|------|-----------|-------------------|
| 1.   | 1700429   | Flat Washer, 3/8" |
| 2.   | 1700369   | Cap Screw, 3/8"   |
| 3.   | 1703254   | Male Clamp        |
| 4.   | 1703253   | Female Clamp      |
| 5.   | 1117577   | Clamp Extension   |
|      | (1115191) | Assembled Clamp   |



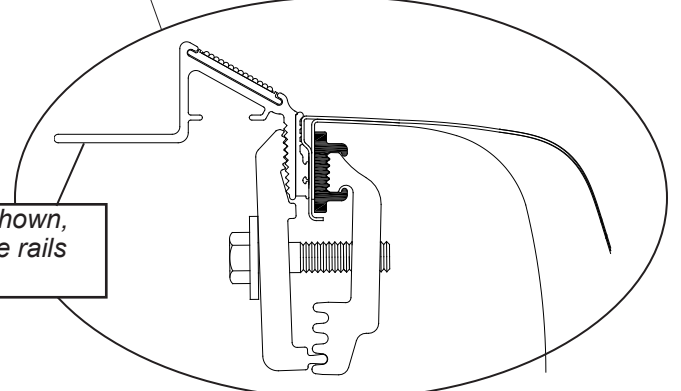
**2** With TruXedo side rails held in place attach clamp extension assembly to the truck box and TruXedo rails.

## CAUTION

Note: If your truck has aftermarket or factory side rail protectors, use plastic shims, part number 1117097. Failure to do so may cause side rail to not sit level and or could cause damage to the vehicle. Contact customer service for information regarding shim kit 1117097.



View showing clamp and extension correctly attached to the driver side TruXedo rail and truck box.



View showing clamp and extension correctly attached to the passenger side TruXedo rail and truck box.

*Lo Pro side rails shown, other TruXedo side rails may also apply.*

by TruXedo, Inc.

P.O. Box 1078, 2209 Kellen Gross Dr., Yankton, SD 57078

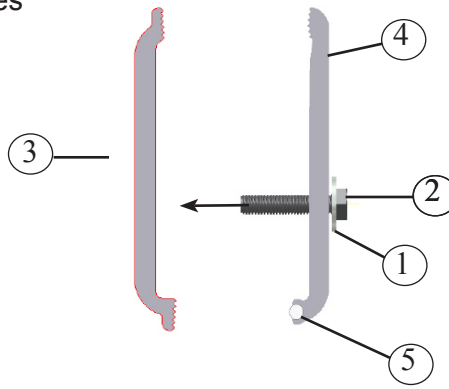
Phone: 877- 878-9336 • Fax: (605) 664-9304 [www.truxedo.com](http://www.truxedo.com)

**TRUXEDO**

P/N 1117597 Rev. A

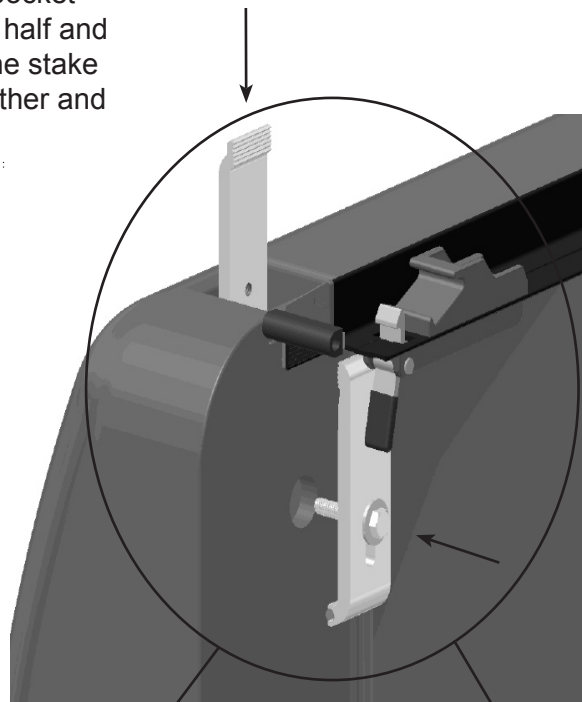
## TRUXEDO® CLAMP EXTENSION AND STAKE POCKET CLAMP

- 3** Disassemble stake pocket clamp assemblies by unscrewing the stake pocket clamp half from the female clamp half.



| Item | Part #                    | Description            |
|------|---------------------------|------------------------|
| 1.   | 1700428                   | VMI Flat Washer, 5/16" |
| 2.   | 1703548                   | Cap Screw, 5/16"       |
| 3.   | 1704576                   | Stake Pocket Clamp     |
| 4.   | 1704583                   | Male Clamp             |
| 5.   | 1704585                   | Urethane Round         |
|      | (1704592 Assembled Clamp) |                        |

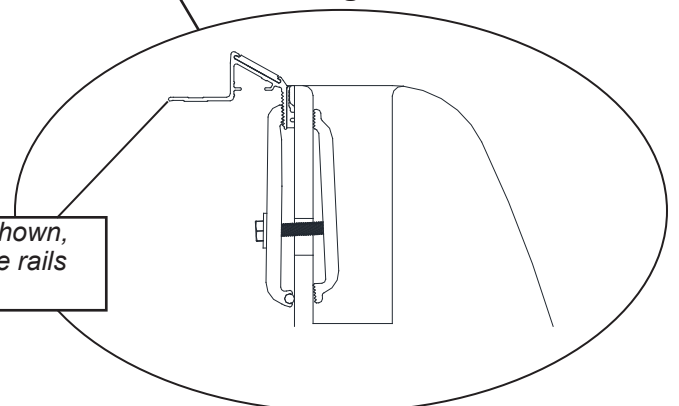
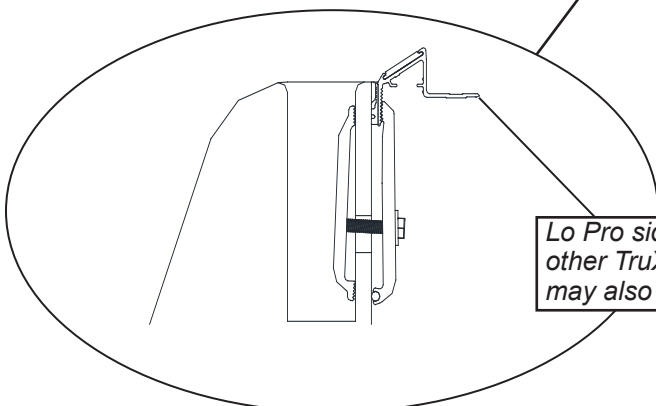
- 4** With TruXedo side rails in place, insert stake pocket clamp half into stake pocket. While holding stake pocket clamp half, insert male clamp half and bolt through the bolt hole of the stake pocket. Bolt clamp halves together and tighten.



**CAUTION**  
Tighten clamp assemblies securely on side rails before driving vehicle.

Driver Side

Passenger Side



*Lo Pro side rails shown, other TruXedo side rails may also apply.*

View showing stake pocket clamp correctly attached to the driver side TruXedo rail and truck box.

View showing stake pocket clamp correctly attached to the passenger side TruXedo rail and truck box.

by TruXedo, Inc.

P.O. Box 1078, 2209 Kellen Gross Dr., Yankton, SD 57078

Phone: 877- 878-9336 • Fax: (605) 664-9304 [www.truxedo.com](http://www.truxedo.com)

**TRUXEDO**

P/N 1117597 Rev. A