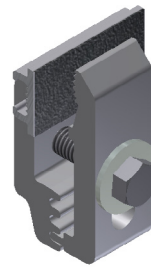
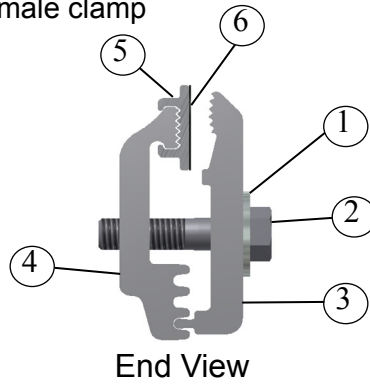


# TRUXEDO® DEUCE 2 CLAMP EXTENSION - DODGE APPLICATIONS

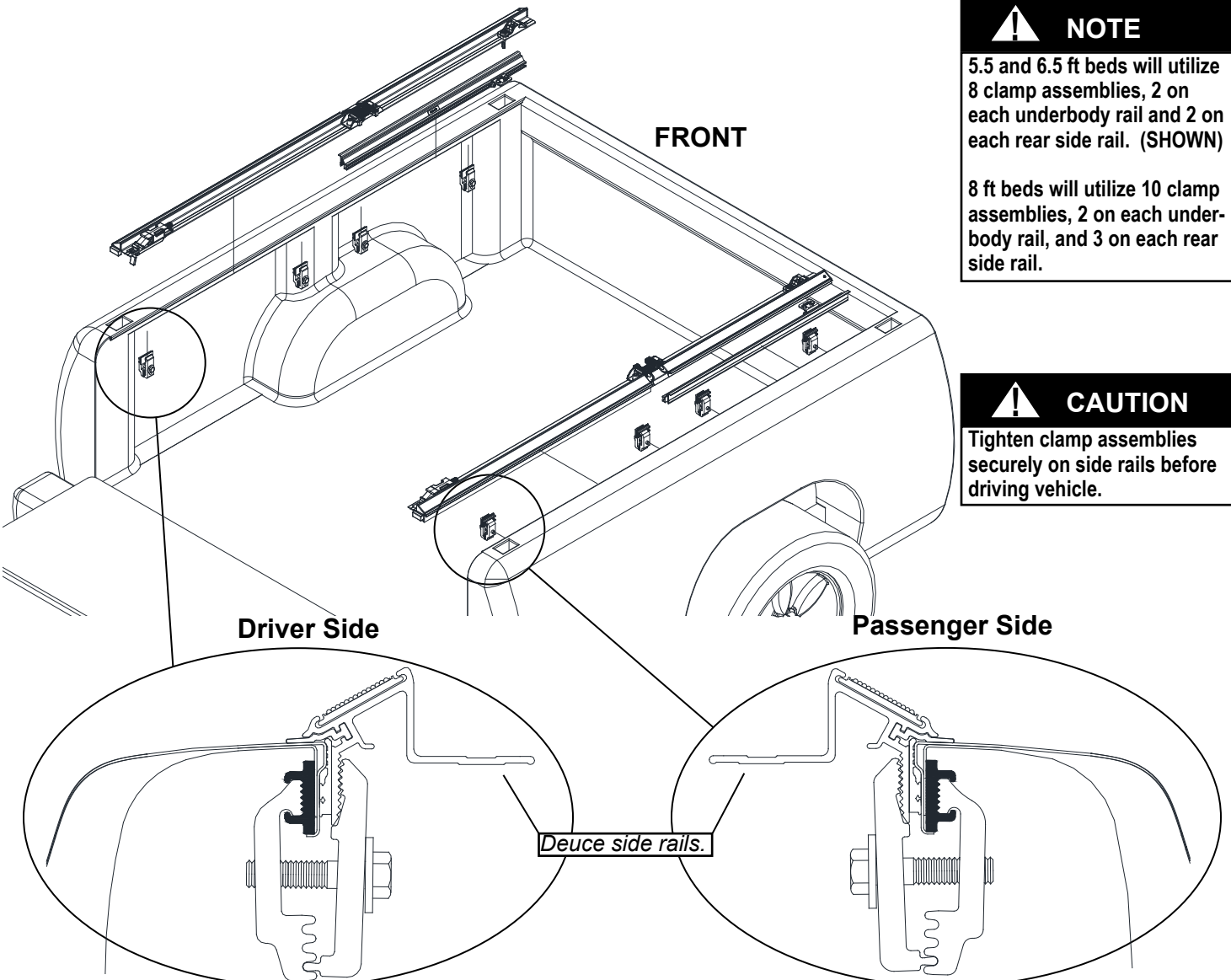
- 1** Slide clamp extension on to the female clamp half.

Item	Part #	Description
1.	1700429	Flat Washer, 3/8"
2.	1700369	Cap Screw, 3/8"
3.	1703254	Male Clamp
4.	1703253	Female Clamp
5.	1117642	Clamp Extension 2"
6.	1704821	Non-slip Tape



Clamp Extension  
Assembled and Centered  
On Clamp.

- 2** With TruXedo Deuce side rails held in place attach clamp assemblies to the truck box and TruXedo Deuce side rails.



**NOTE**

5.5 and 6.5 ft beds will utilize 8 clamp assemblies, 2 on each underbody rail and 2 on each rear side rail. (SHOWN)

8 ft beds will utilize 10 clamp assemblies, 2 on each underbody rail, and 3 on each rear side rail.

**CAUTION**

Tighten clamp assemblies securely on side rails before driving vehicle.

View showing clamp and extension correctly attached to the driver side TruXedo Deuce rail and truck box.

View showing clamp and extension correctly attached to the passenger side TruXedo Deuce rail and truck box.