

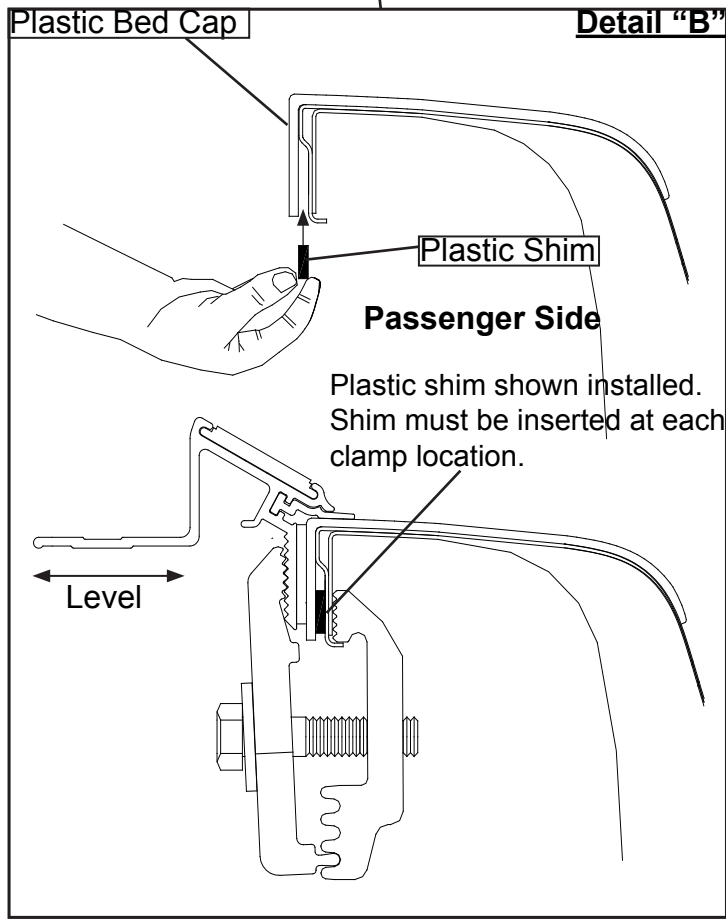
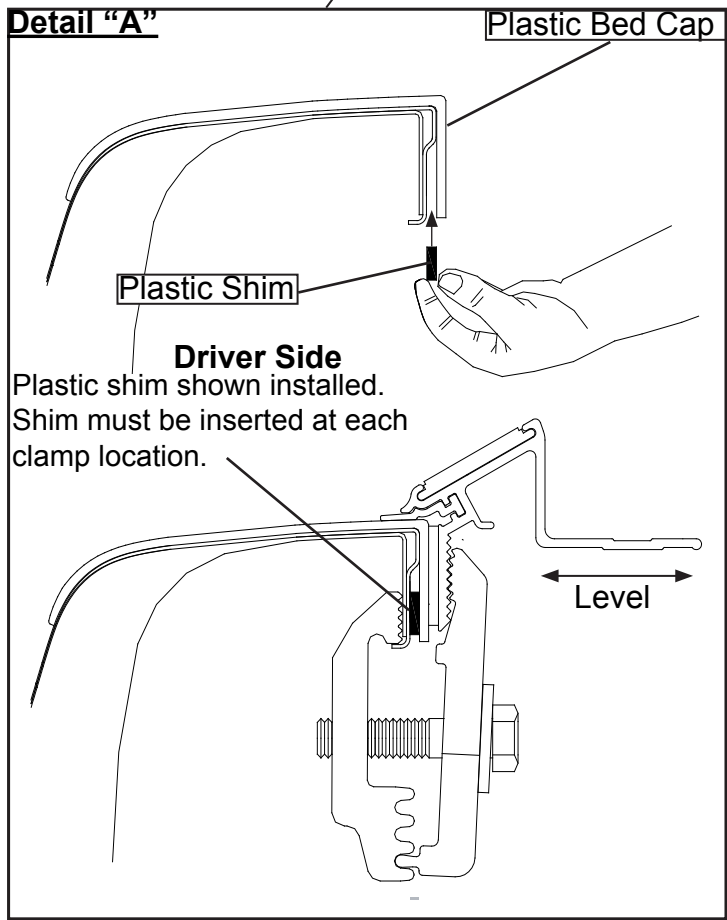
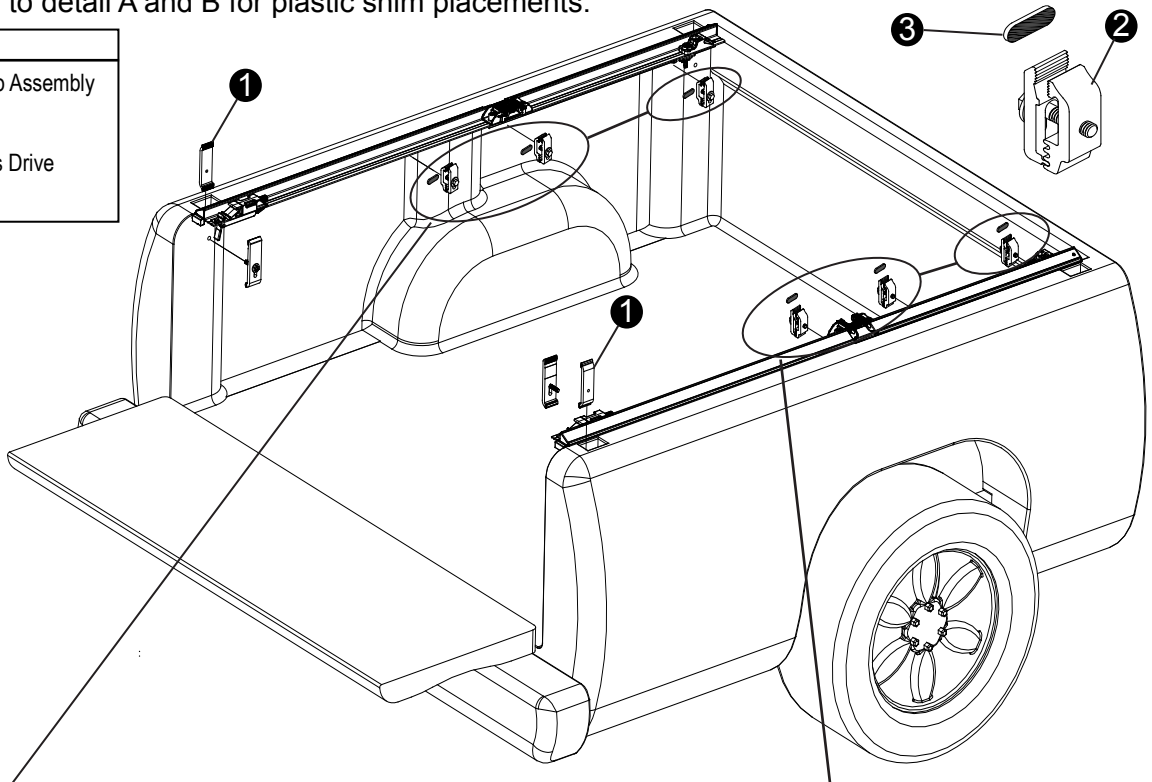
TRUXEDO® DEUCE 2 CLAMPING INSTRUCTIONS FOR GM KITS, PREFERRED METHOD

1 With the TruXedo Deuce side rails held in place, attach clamps and plastic shims to the side rails at the locations shown. Refer to detail A and B for plastic shim placements.

Item	Part #	Description
1.	1704589	Stack Pocket Clamp Assembly
2.	1117800	Clamps (8) Pack
3.	1117124	Shim Pack (8)

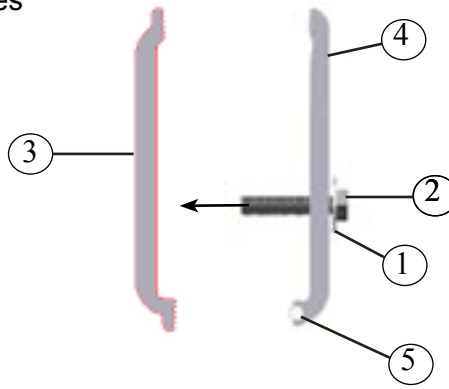
Tools 1/2 & 9/16 inch sockets, 3/8's Drive Ratchets

CAUTION
 Note: If your truck has aftermarket or factory side rail protectors, use plastic shims, part number 1117124. Failure to do so may cause side rail to not sit level and or could cause damage to the vehicle.



TRUXEDO® DEUCE 2 CLAMPING INSTRUCTIONS FOR GM KITS, PREFERRED METHOD

- 2** Disassemble stake pocket clamp assemblies by unscrewing the stake pocket clamp half from the female clamp half.



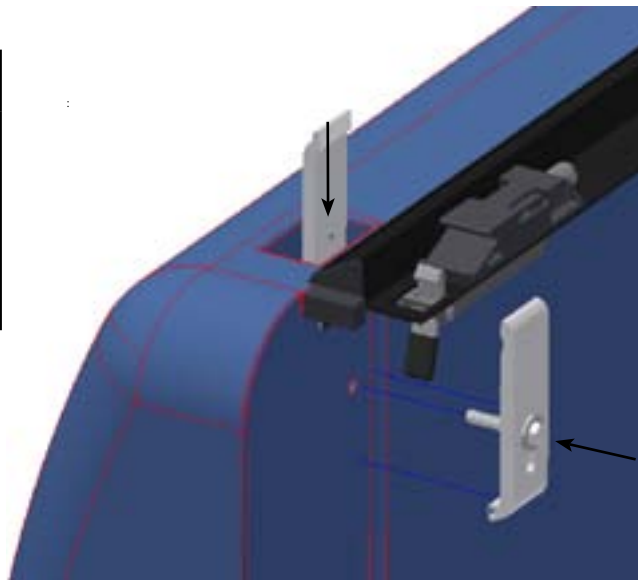
Item	Part #	Description
1.	1700428	VMI Flat Washer, 5/16"
2.	1703548	Cap Screw, 5/16"
3.	1704576	Stake Pocket Clamp
4.	1704583	Male Clamp
5.	1704585	Urethane Round
	(1704592)	Assembled Clamp

- 3** Insert stake pocket clamp half into stake pocket. Pull up slightly on bed cap cover to allow clamp to slip between plastic stake pocket and metal side rail. While holding stake pocket clamp half, insert male clamp half and bolt through the bolt hole of the stake pocket. Insert plastic shim in clamping location. Bolt clamp halves together and tighten.

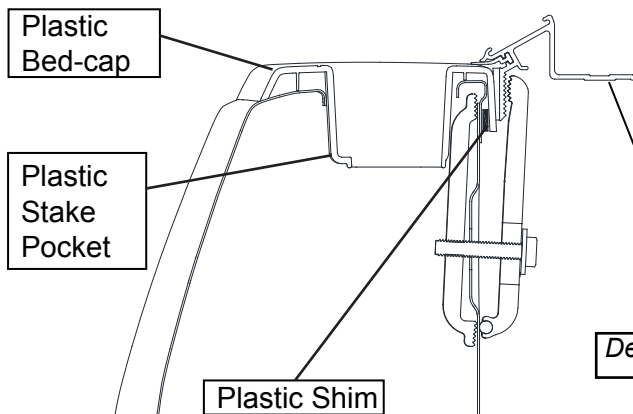
CAUTION

Tighten clamp assemblies securely on side rails before driving vehicle. Torque all clamp bolts to 8 FT Lbs. +/-1

NOTE: Over torquing bolts may damage bed rail.

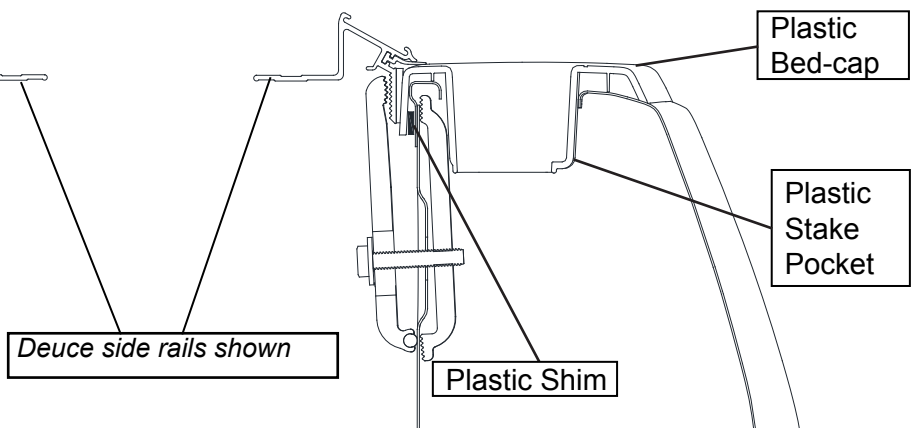


Driver Side Cross Section View



View showing stake pocket clamp correctly attached to the driver side Deuce rail and truck box.

Passenger Side Cross Section View



View showing stake pocket clamp correctly attached to the passenger side Deuce rail and truck box.

by TruXedo, Inc.

P.O. Box 1078, 2209 Kellen Gross Dr., Yankton, SD 57078

Phone: 877-878-9336 • Fax: (605) 664-9304 www.truxedo.com



P/N 1117834 Rev. B

TRUXEDO® DEUCE 2 CLAMPING INSTRUCTIONS FOR GM KITS, SECONDARY METHOD

1 With the TruXedo Deuce side rails held in place, attach clamps and plastic shims to the side rails at the locations shown. Refer to detail A and B for plastic shim placements.

Use this clamping method if a spray-on, or drop-in bedliner covers the rear stake pocket holes.

Item	Part #	Description
1.	1117800	Clamps (8) Pack
2.	1117124	Shim Pack (8)
Tools 1/2 & 9/16 inch sockets, 3/8's Drive Ratchets		

⚠ CAUTION
 Note: If your truck has aftermarket or factory side rail protectors, use plastic shims, part number 1117124. Failure to do so may cause side rail to not sit level and or could cause damage to the vehicle.

