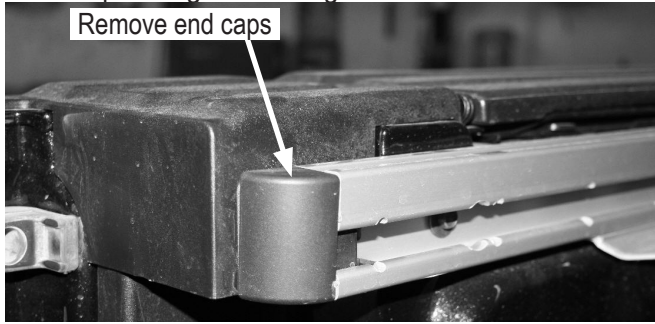


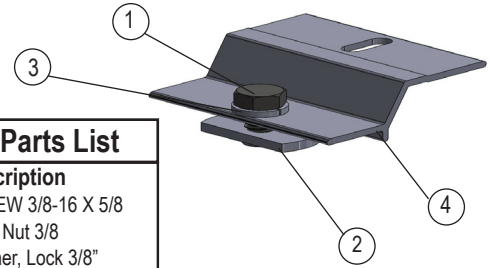
NOTICE

ASSEMBLY OF DODGE RAMBOX™ COVER TO TRUCK

STEP 1. Remove the end caps from the driver and passenger side cargo rail.



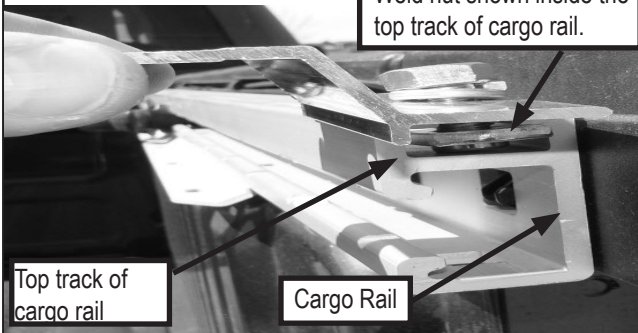
STEP 2. Assemble hardware as shown.



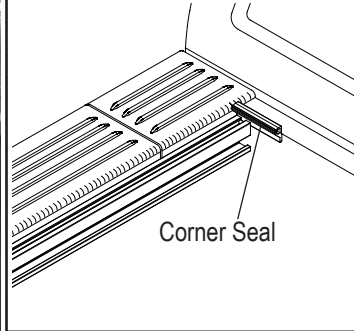
Replacement Parts List

Item	Part #	Description
1.	1704353	SCREW 3/8-16 X 5/8
2.	1704373	Weld Nut 3/8
3.	1704374	Washer, Lock 3/8"
4.	1704246	Clamp Bracket Rambox

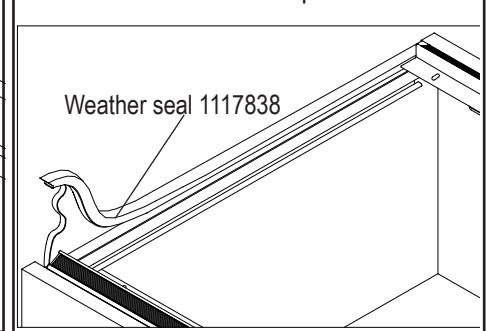
STEP 3. Slide three assembled brackets into each track of the driver and passenger side cargo rail.



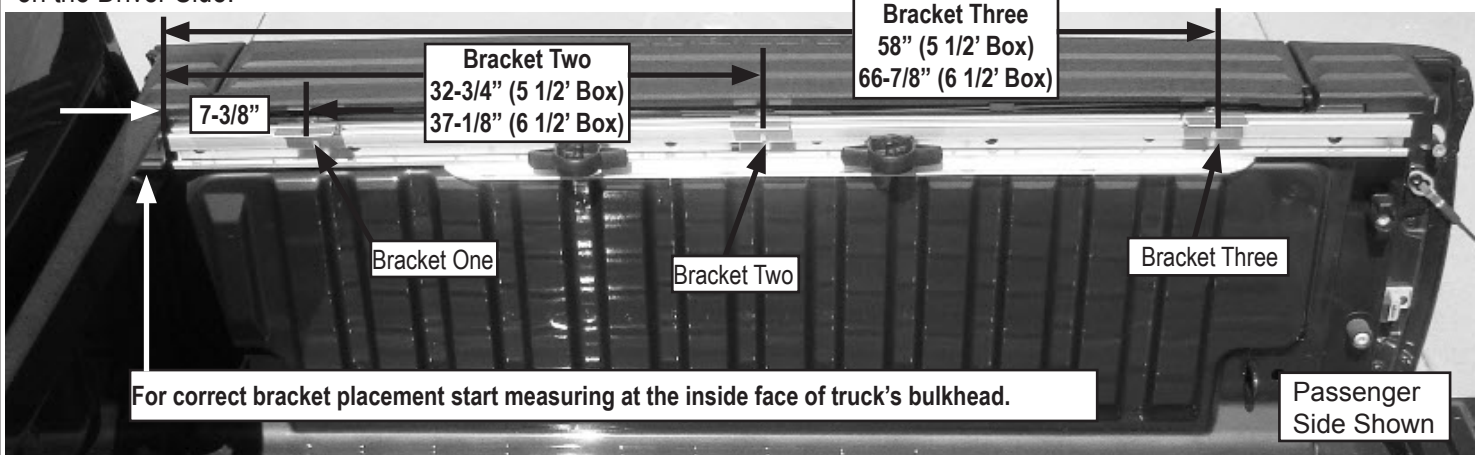
STEP 4. Apply corner seal to front inside corners of box.



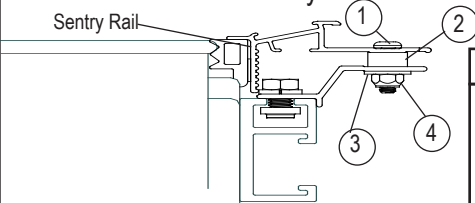
STEP 5. Apply weather seal across the front bulkhead, trimming ends to match bed cap contour.



STEP 6. Starting from the front bulkhead of the Rambox™ place brackets at the dimensions shown and then tighten. Repeat on the Driver Side.



STEP 7. Fasten the Sentry rail to the brackets with the hardware shown.



Replacement Parts List

Item	Part #	Description
1.	1706072	SCREW 1/4-20 X 1
2.	1706073	Spacer
3.	1700427	Washer 1/4
4.	1701543	Nut 1/4-20

STEP 8.

After the side rails are attached insert the plastic cargo rail end caps. Refer to the owners manual for instructions on how to attach the cover assembly and for other operations of the truck bed cover.