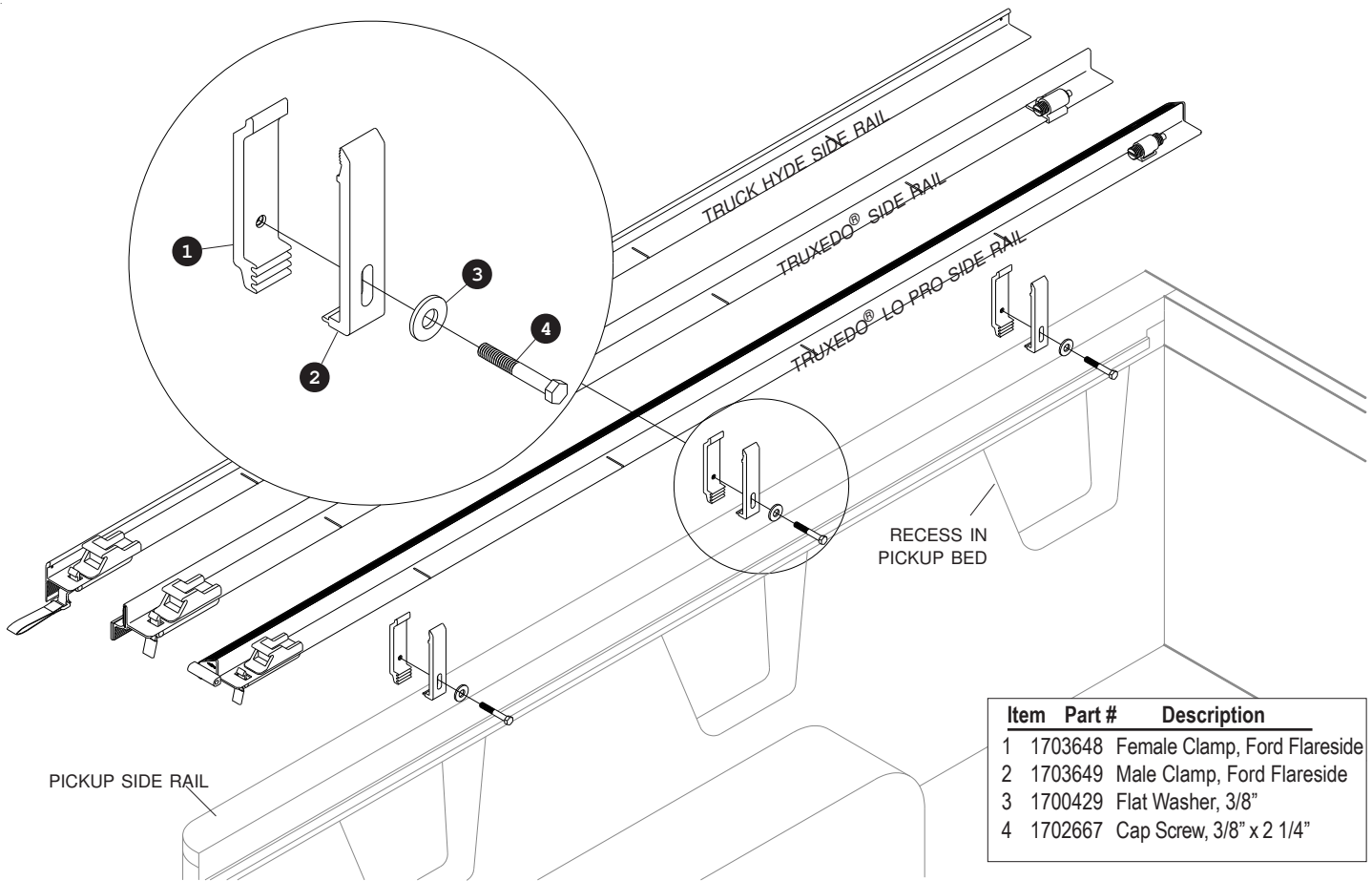


# 2004 - 2009 FORD FLARESIDE SIDE RAIL CLAMP INSTRUCTIONS



Item	Part #	Description
1	1703648	Female Clamp, Ford Flareside
2	1703649	Male Clamp, Ford Flareside
3	1700429	Flat Washer, 3/8"
4	1702667	Cap Screw, 3/8" x 2 1/4"

**STEP 1:** The pickup bed has three recess areas in the side walls on each side. Slots are located on the upper inside flange at each recess area. Install one clamp assembly at each location.

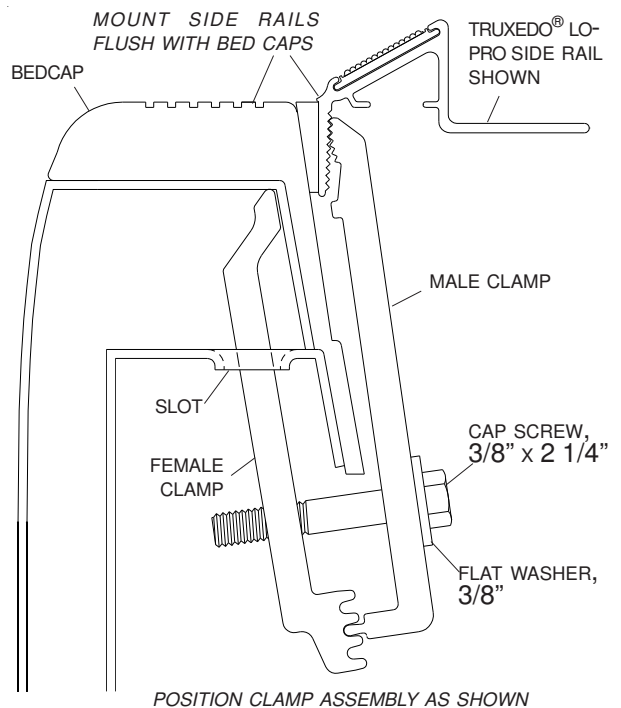
**STEP 2:** Install inner offset clamp through a slot and assemble outer clamp using the cap screw and flat washer provided in the hardware kit.



## CAUTION

**Tighten clamp assemblies securely on side rails before driving vehicle.**

**NOTE:** See Owners Manual for cover installation.



POSITION CLAMP ASSEMBLY AS SHOWN

## By TruXedo, Inc.

P.O. Box 1078, 2209 Kellen Gross Dr., Yankton, South Dakota 57078  
 Call Toll Free: 1-877-TRUXEDO (1-877-878-9336) Fax: (605) 664-9304  
 Visit Us Online: <http://www.truxedo.com>

