

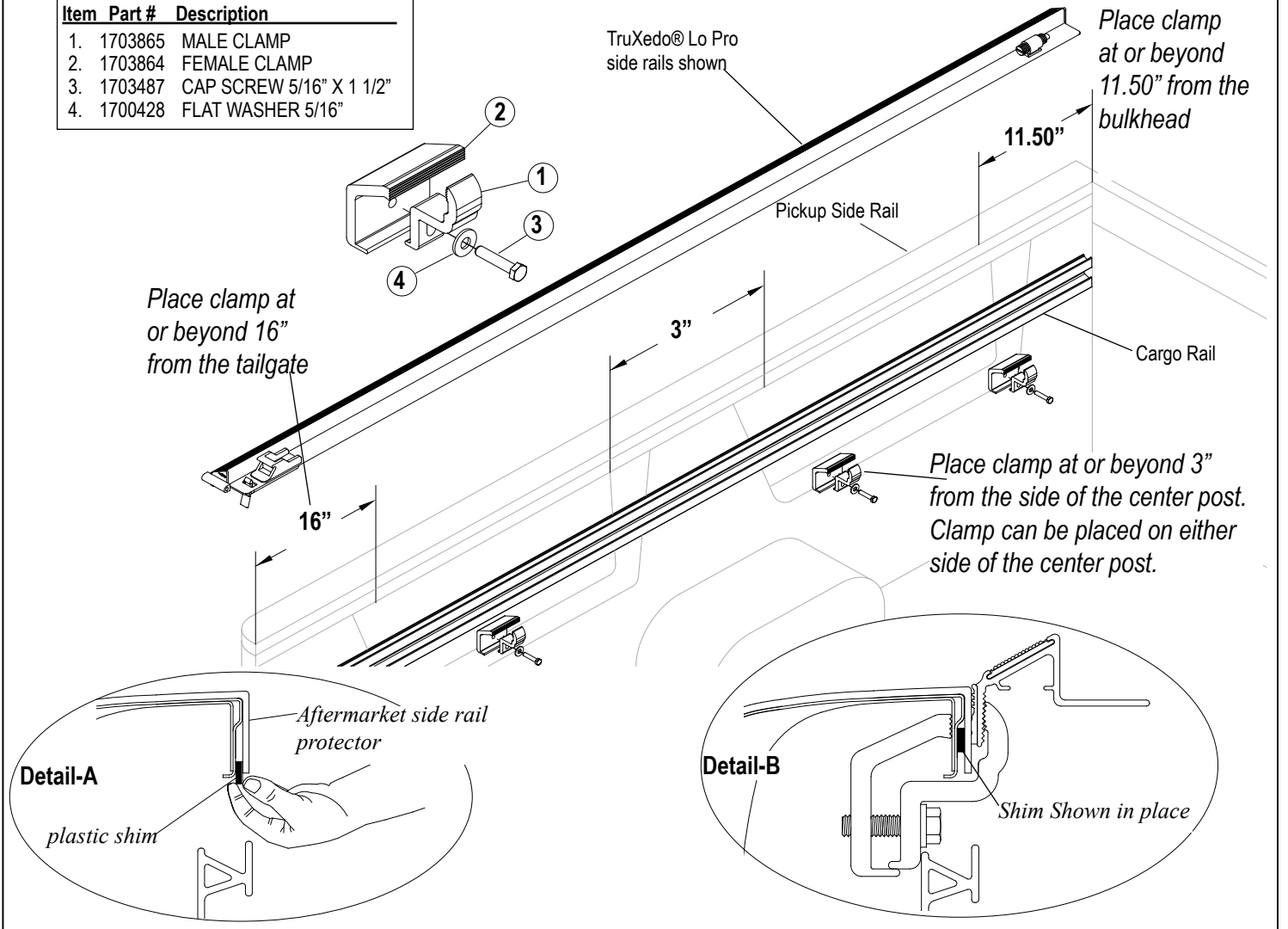
**2007 OR NEWER GM CLAMP INSTRUCTIONS FOR CARGO MANAGEMENT SYSTEM**

**CAUTION**

**Incorrect clamping can cause damage to the vehicle. Clamp ONLY where TWO layers of sheet metal are present. Do not over tighten clamps.**

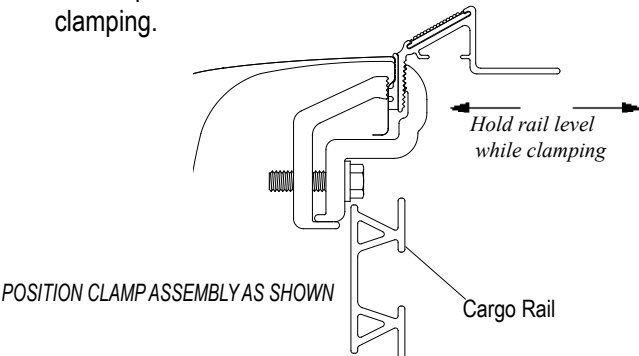
**1 Correct Clamping locations:** Place clamps in the locations shown below. See owners manual for positioning the side rails correctly. With side rail held in place, insert clamp horizontally between the cargo rail and bottom of bed rail. Using a socket with extension, tighten the clamps securely. **If your truck has factory or aftermarket side rail protectors see detail A & B below.**

Item	Part #	Description
1.	1703865	MALE CLAMP
2.	1703864	FEMALE CLAMP
3.	1703487	CAP SCREW 5/16" X 1 1/2"
4.	1700428	FLAT WASHER 5/16"



**2** Next install the TruXedo rail. Refer to the owners manual for correct position of the rail front to back. Hold rail level while clamping.

**NOTE:** We recommend additional help to hold rail in position while installing clamps. A socket extension is recommended for tightening clamps.



**CAUTION**  
Tighten clamp assemblies securely on side rails before driving vehicle.

**CAUTION**  
Note: If your truck has aftermarket or factory side rail protectors, use supplied plastic shims. Failure to do so may cause rail to not sit level and or could cause damage to the vehicle. See detail A & B.

**NOTE:** See Owner's Manual for cover installation.