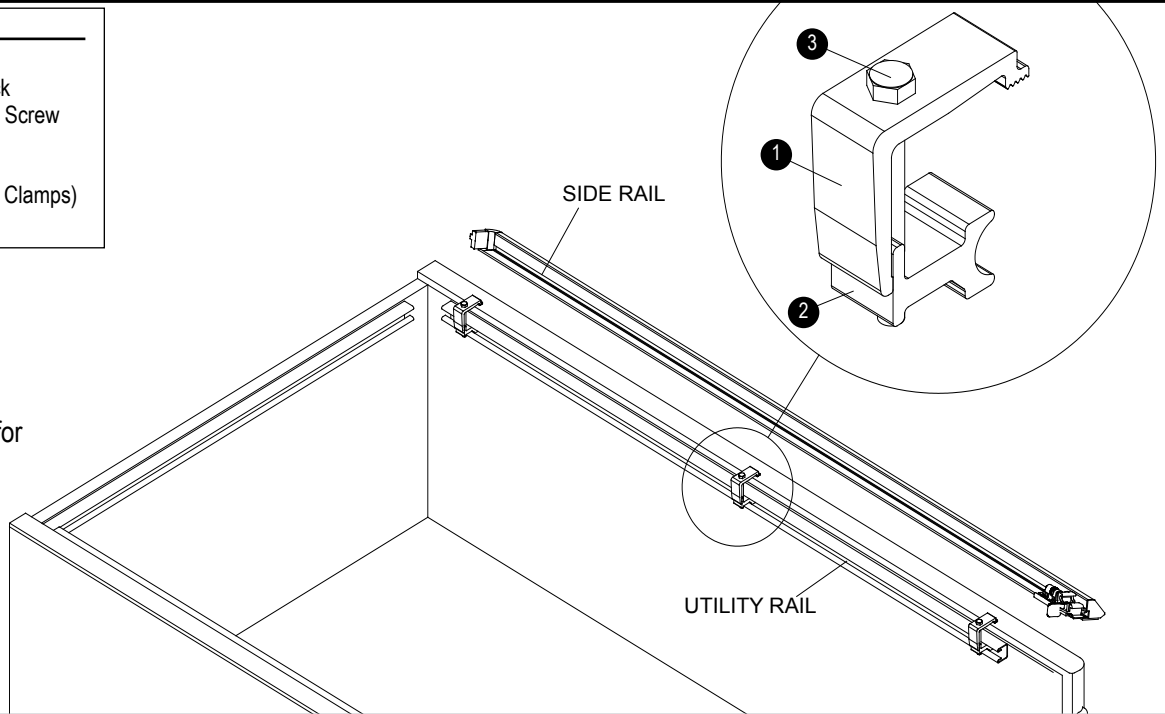


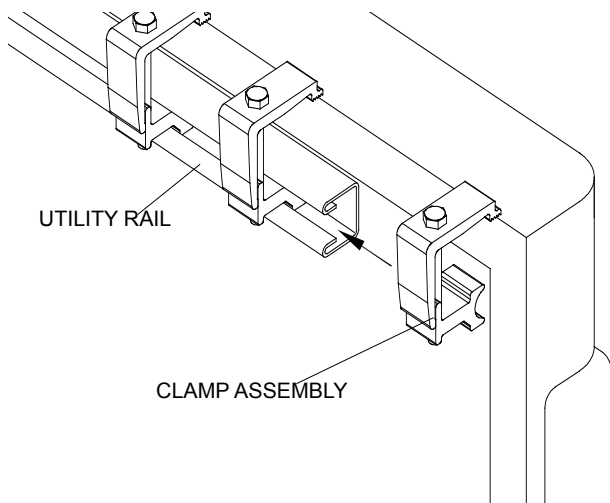
2007 AND NEWER TOYOTA TUNDRA WITH TRAC SYSTEM INSTRUCTIONS

Item	Part #	Description
1.	1703530	Male Clamp
2.	1703904	Female Track
3.	1703925	5/16-18 Cap Screw
(1703926 Six Assembled Clamps)		

Refer to Owner's Manual for complete instructions.

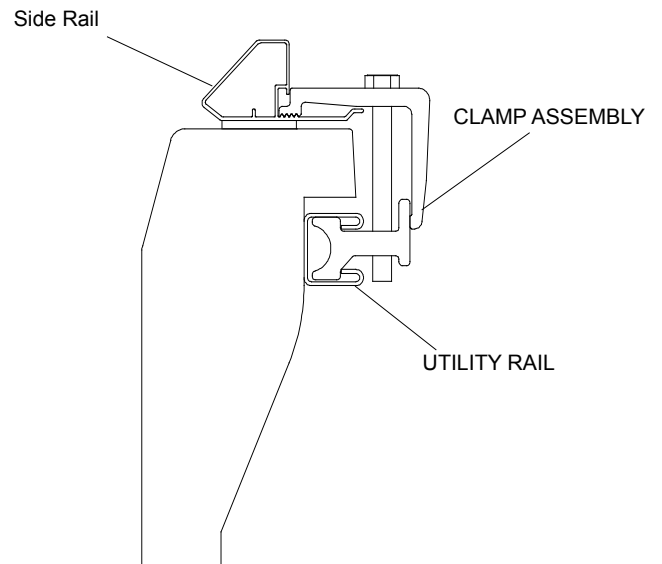


STEP 1: Insert clamp assemblies into utility rails, three on each side of pickup bed.



STEP 2: Evenly space 3 clamp assemblies along utility rail.

STEP 3: Refer to owner's manual for side rail placement.



⚠ CAUTION

Tighten clamp assemblies securely on side rails before driving vehicle.

NOTE: See Owner's Manual for cover installation.