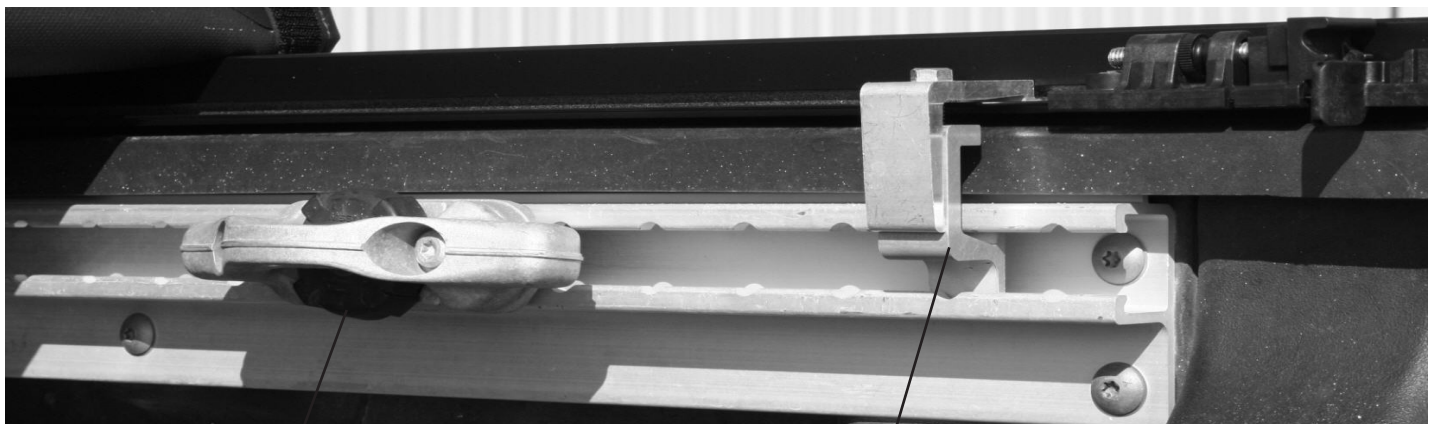
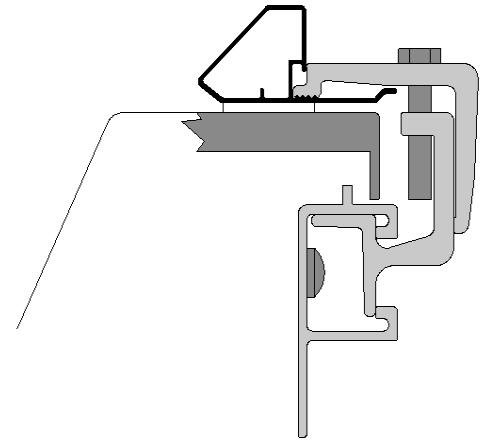
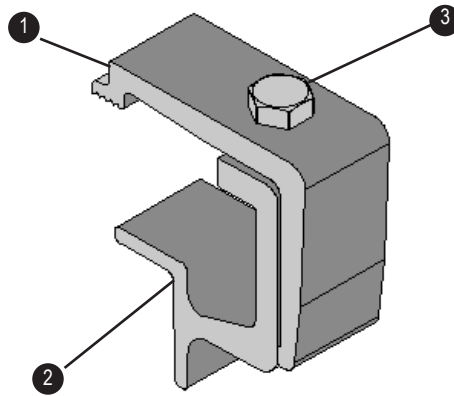


TITAN WITH TRAC SYSTEM INSTRUCTIONS

Item	Part #	Description
1.	1703530	Male Clamp
2.	1703618	Female Track
3.	1703548	5/16-18 Cap Screw
(1704128 Six Assembled Clamps)		

Refer to Owner's Manual for complete instructions.



Tie Down

Rear Clamp Assembly

- STEP 1:** Remove six clamps from bag. Three clamps per side.
- STEP 2:** Remove adjustable tie downs from track.
- STEP 3:** Place front female clamp in track. (see Figure A)
- STEP 4:** Next place adjustable tie down followed with female clamp, tie down, clamp.
- STEP 5:** Evenly space clamps moving rear clamps towards the back.
- STEP 6:** Follow manual for cover installation.

CAUTION

Tighten clamp assemblies securely on side rails before driving vehicle.

NOTE: See Owner's Manual for cover installation.