

NOTICE

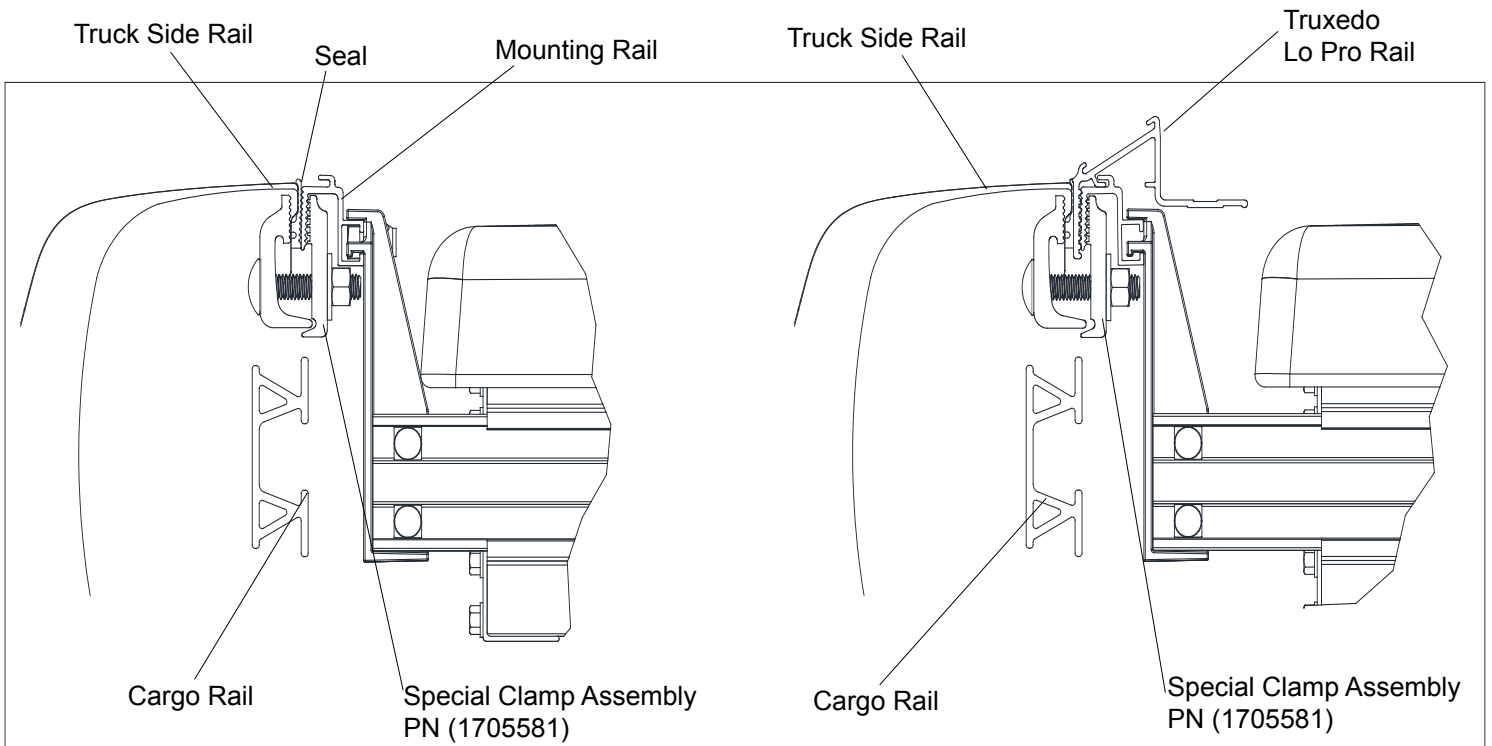
GM W/FACTORY CARGO MANAGEMENT SPECIAL INSTRUCTIONS

Special clamps for mounting the TonneauMate to a GM with the Cargo Management system.

Tools Required: Ratchet, 9/16" socket, extension

No tonneau cover or top mount application. Shown below.

Truxedo Lo Pro Shown below.



- 1 Special Clamps:** Place clamps in the locations shown above. Driver side of mounting rail is shown. Follow the same assembly steps for the passenger side mounting rail. Refer to the owners manual for complete toolbox installation instructions



CAUTION

Tighten clamp assemblies securely on mounting rails before driving vehicle.

By TruXedo, Inc.

P.O. Box 1078, 2209 Kellen Gross Dr., Yankton, SD 57078

Phone: 877- 878-9336 • Fax: (605) 664-9304 www.truxedo.com



P/N 1117506 Rev B