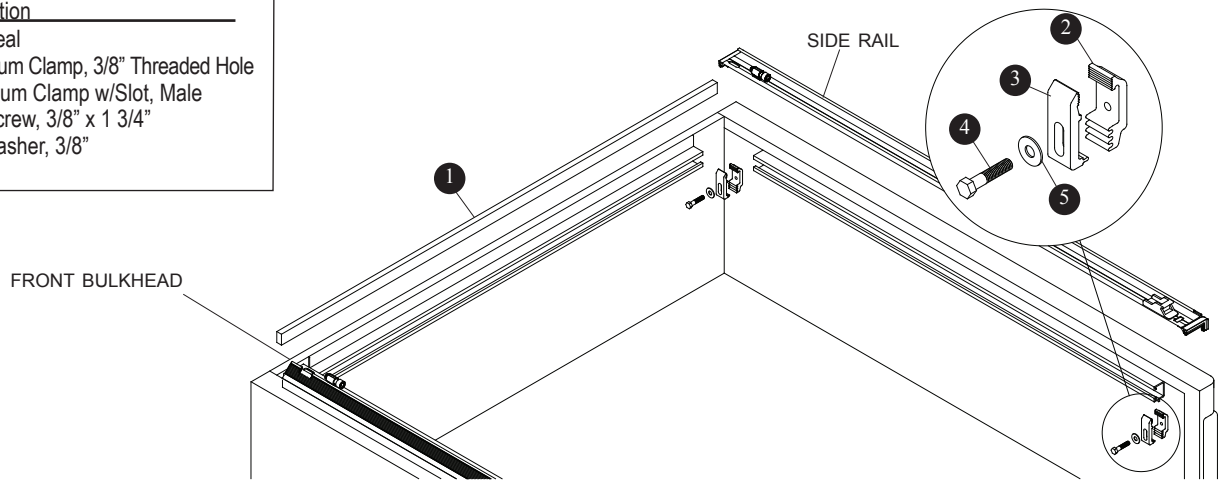


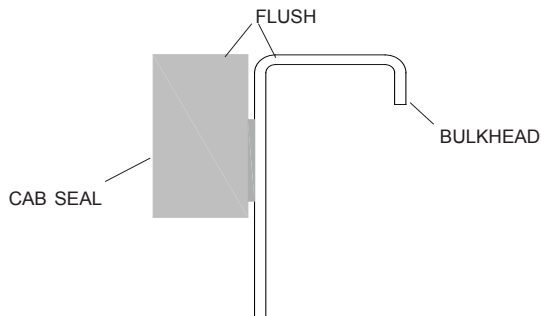
EDGE NISSAN FRONTIER INSTALLATION

Item	Part #	Description
1.	1703331	Cab Seal
2.	1703253	Aluminum Clamp, 3/8" Threaded Hole
3.	1703254	Aluminum Clamp w/Slot
4.	1700369	Cap Screw, 3/8" x 1 3/4"
5.	1700429	Flat Washer, 3/8"

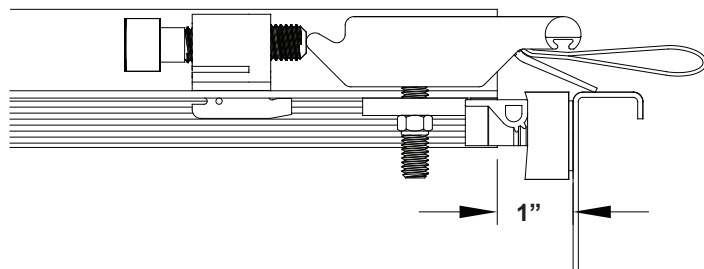


Follow these instructions to install cab weather seal and side rail clamps on your Nissan Frontier pickup. Refer to Owner's Manual for complete installation instructions.

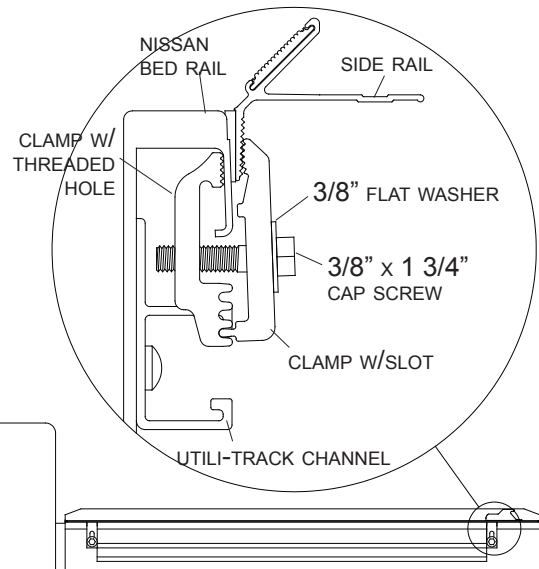
STEP 1: Cab Weather Seal: Install cab weather seal inside front bulkhead, covering full width (see above). Align top edge of seal flush with top edge of bulkhead. Slowly peel backing and press seal against bulkhead to bond adhesive.



STEP 2: Side Rails: Position side rails against cab weather seals as shown below. See Owner's Manual for complete instructions.



STEP 3: Side Rail Clamps: If your pickup bed does not have Utili-track channels, install three clamps on each side rail as shown in owner's Manual. If your pickup bed does have Utili-track channels, install two clamps on each side rail, locating clamps at each end of Utili-track channels.



Refer to Owner's Manual for cover installation instructions.

TruXedo, Inc.

P.O. Box 1078, 2209 Kellen Gross Dr., Yankton, South Dakota 57078

Call Toll Free: 1-877-TRUXEDO (1-877-878-9336) Fax: (605) 664-9304 Visit Us Online: <http://www.truxedo.com>



P/N 1117517 Rev. A