

# NOTICE

## GM W/TRACKS DEUCE 2 INSTALLATION SPECIAL INSTRUCTIONS



### CAUTION

Incorrect clamping can cause damage to the vehicle. Clamp **ONLY** where **TWO** layers of sheet metal are present. Do not over tighten clamps.

- 1 Correct Clamping locations:** Place clamps in the locations shown below. See step two for positioning the side rails correctly. With side rail held in place, insert clamp horizontally between the cargo rail and bottom of bed rail. Using a socket with extension, tighten the clamps securely. If your truck has factory or aftermarket side rail protectors see detail A & B below.

Place clamp at or beyond 3" from either side of the center post.

Place clamp at or beyond 16" from the tailgate

3"

16"

Center support post

Aftermarket or factory side rail protector cap

DETAIL A:

Shim

Place plastic shims between the side rail protector and the trucks side rail. The shim must be located at the same location that a clamp will be used.

DETAIL B:

Detail showing shim correctly positioned between side rail protector and the trucks side rail.

**NOTE:** We recommend additional help to hold rail in position while installing clamps. A socket extension is recommended for tightening clamps.

### CAUTION

Tighten clamp assemblies securely on side rails before driving vehicle.

Item	Part #	Description
1.	1703865	MALE CLAMP
2.	1703864	FEMALE CLAMP
3.	1703487	CAP SCREW 5/16" X 1 1/2"
4.	1700428	FLAT WASHER 5/16"

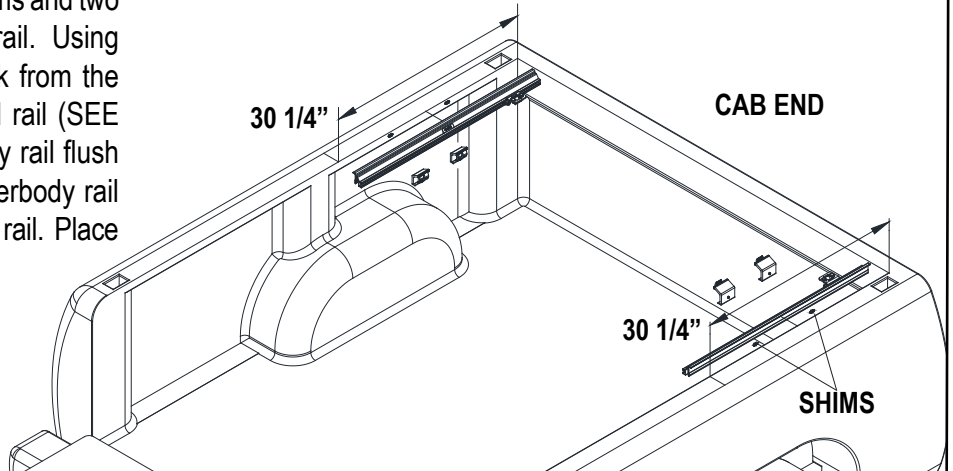
by Truxedo, Inc.  
 P.O. Box 1078, 2209 Kellen Gross Dr., Yankton, SD 57078  
 Phone: 877- 878-9336 • Fax: (605) 664-9304 [www.truxedo.com](http://www.truxedo.com)

**DEUCE** 2 IS BETTER THAN 1

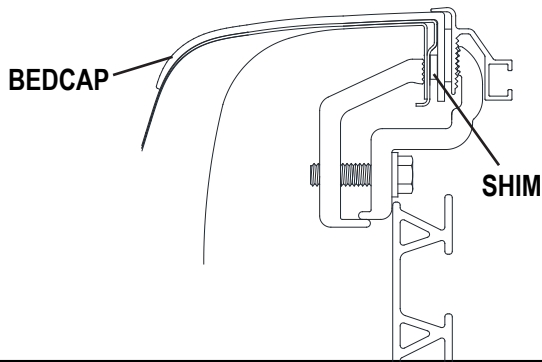
## GM W/TRACKS DEUCE 2 INSTALLATION INSTRUCTIONS (CONTINUED)

### 2 These instructions replace steps 2 & 3 in the Deuce 2 owners manual.

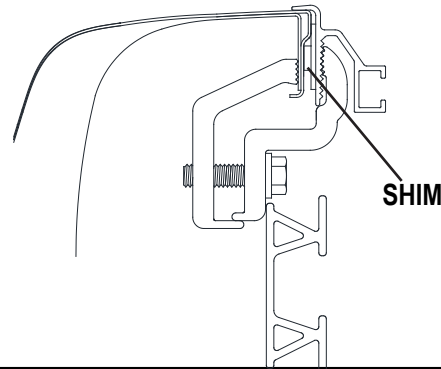
**Install Underbody Rails:** Two plastic shims and two clamps will be used for each underbody rail. Using a grease pen make a mark 30-1/4" back from the bulkhead. Place shims onto pickup bed rail (SEE STEP 3). Align the rear of the underbody rail flush with the mark you made. Press the underbody rail against the top and inside of the pickup bed rail. Place clamps directly over shims and tighten.



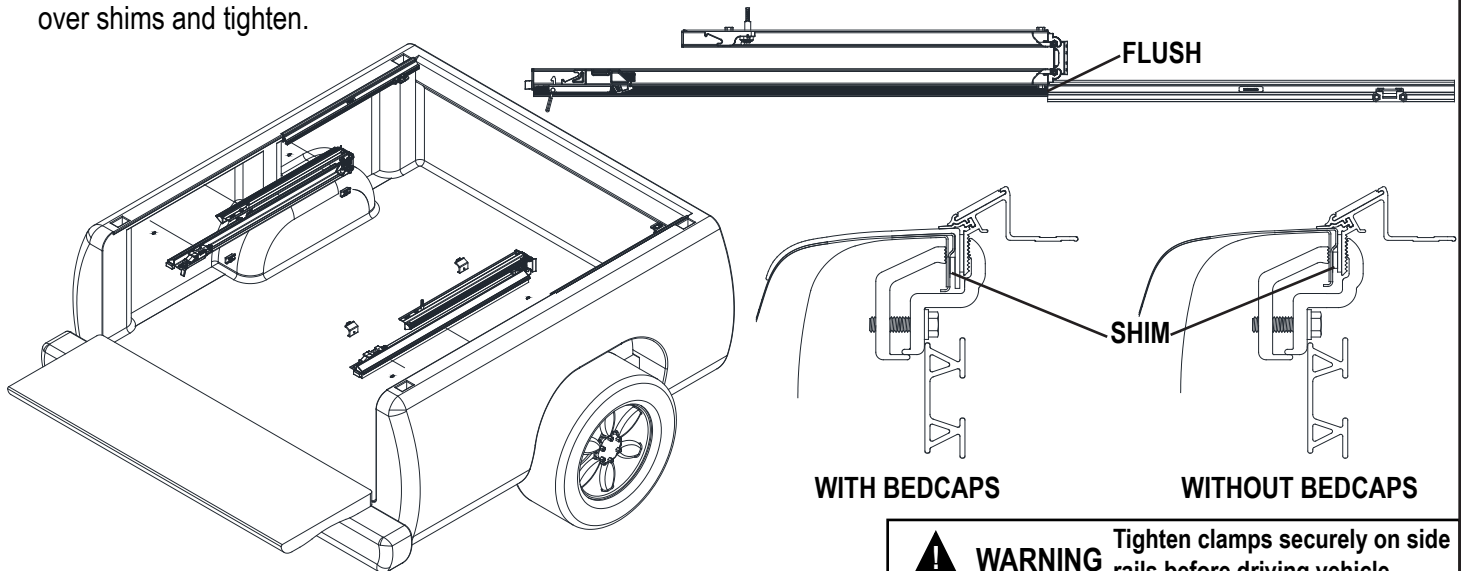
**3A** If pickup box has bed caps place shims in between the bed caps and the bed rail as shown below.



**3B** If pickup box DOES NOT have bed caps place shims against bed rail as shown below.



**4 Install Side Rails:** Two plastic shims and two clamps will be used for each side rail. Place shims onto pickup bed rail as shown below. Align the front of the side rail flush with the rear of the underbody rail. Press the side rails against the top and inside of the pickup bed rail, making sure the seal is compressed against the top of the bed rail. Place clamps directly over shims and tighten.



**WARNING**

Tighten clamps securely on side rails before driving vehicle.

Continue with step 4 in the main Deuce 2 manual.

by TruXedo, Inc.

P.O. Box 1078, 2209 Kellen Gross Dr., Yankton, SD 57078

Phone: 877- 878-9336 • Fax: (605) 664-9304 [www.truxedo.com](http://www.truxedo.com)

**DEUCE** 2 IS BETTER THAN 1

P/N 1117777 Rev A