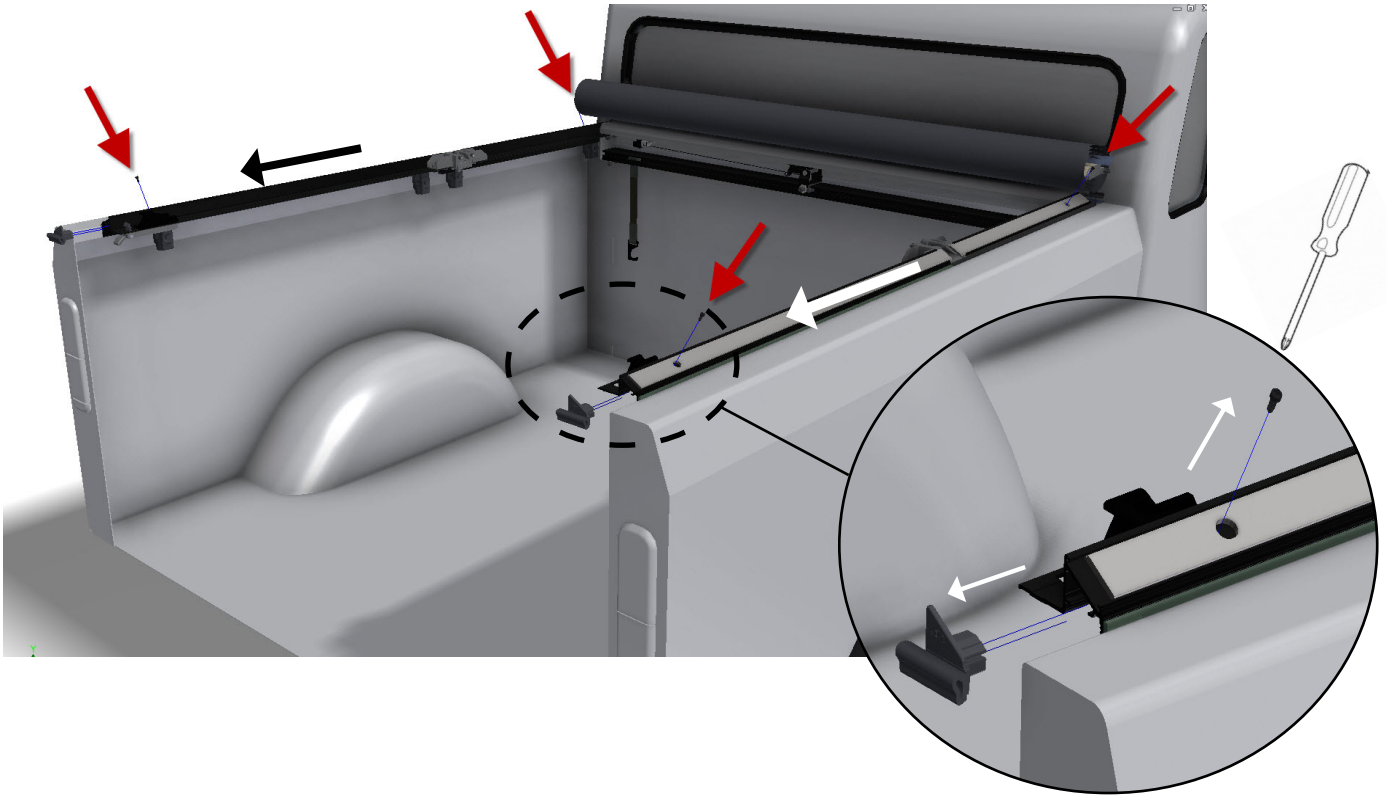


## SHUR-BOND HOOK REPLACEMENT FOR TRUXEDO DEUCE

### 1 Steps to replace old Shur-Bond hook:

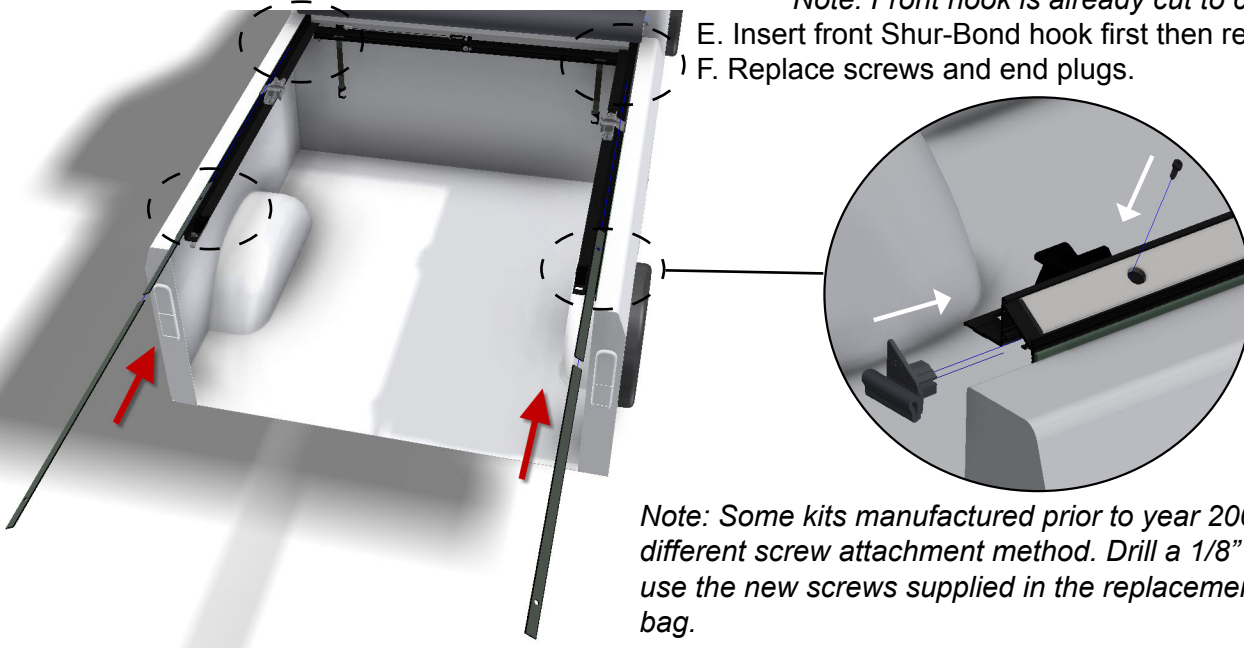
- A. Remove driver & passenger side end plugs.
- B. Remove all four screws.
- C. Remove old Shur-Bond from tracks.



### 2 Steps to replace old Shur-Bond hook with new. D. Measure and cut new Shur-Bond hook.

*Note: Front hook is already cut to correct length.*

- E. Insert front Shur-Bond hook first then rear hook.
- F. Replace screws and end plugs.



*Note: Some kits manufactured prior to year 2008 may have a different screw attachment method. Drill a 1/8" dia. hole and use the new screws supplied in the replacement hardware bag.*

by TruXedo, Inc.

P.O. Box 1078, 2209 Kellen Gross Dr., Yankton, SD 57078

Phone: 877- 878-9336 • Fax: (605) 664-9304 [www.truxedo.com](http://www.truxedo.com)

**TRUXEDO**  
*Deuce*  
Patent Pending

P/N 1117789 Rev. A