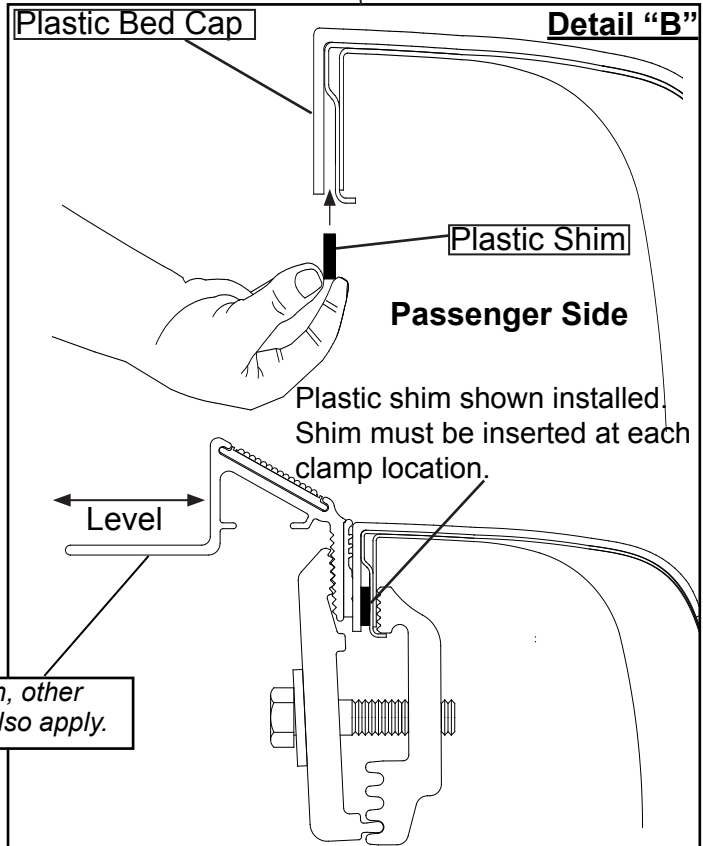
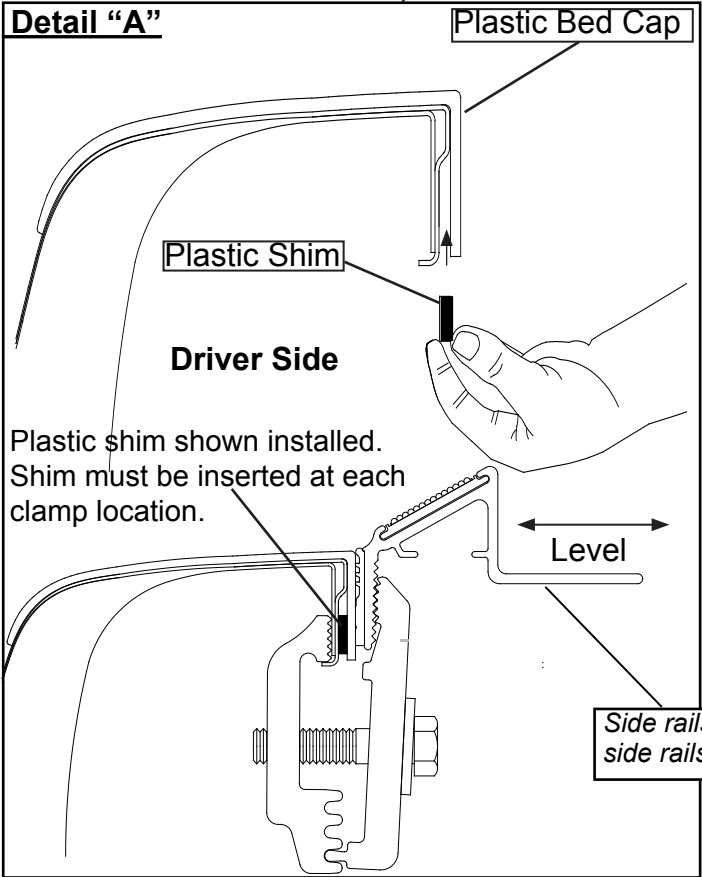
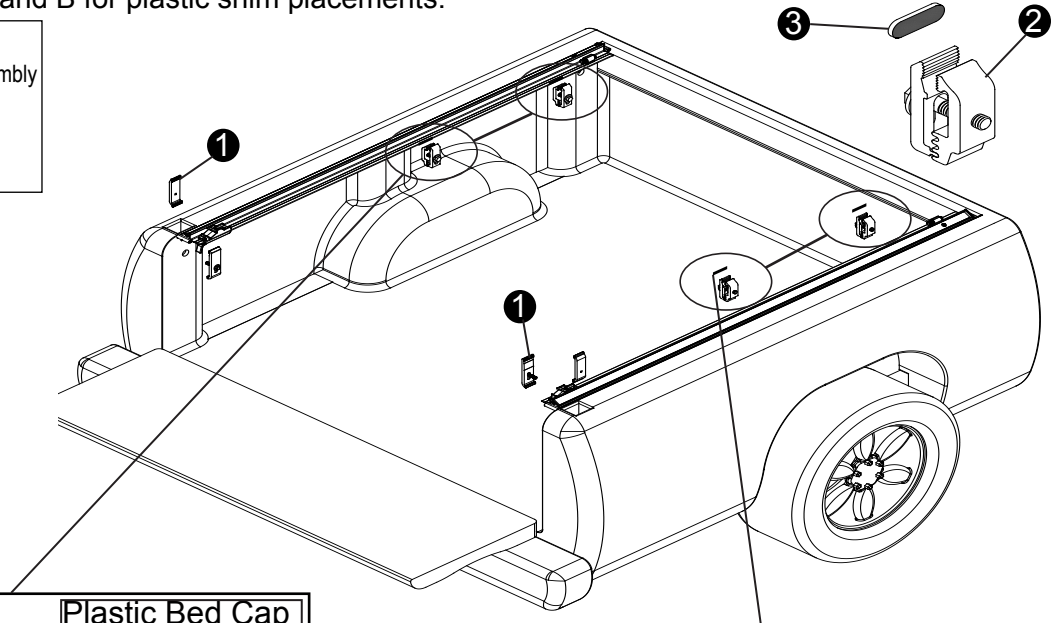


CLAMPING INSTRUCTIONS FOR GM, PREFERRED METHOD

- 1** With side rails positioned as shown attach clamps and plastic shims to the side rails at the locations shown. Refer to detail A and B for plastic shim placements.

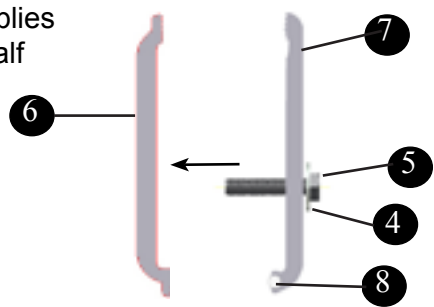
Item	Part #	Description
1.	1704589	Stake Pocket Clamp Assembly
2.	1112514	Clamps 6 Pack
3.	1117097	Shim Pack
Tools 1/2& 9/16 inch socket, 3/8's Drive Ratchet		

CAUTION
 Note: If your truck has aftermarket or factory bed caps, use plastic shims, part number 1117097. Failure to do so may cause side rail to not sit level and or could cause damage to the vehicle. Contact customer service for information regarding shim kit 1117097.



CLAMPING INSTRUCTIONS FOR GM, PREFERRED METHOD

- 2** Disassemble stake pocket clamp assemblies by unscrewing the stake pocket clamp half from the female clamp half.

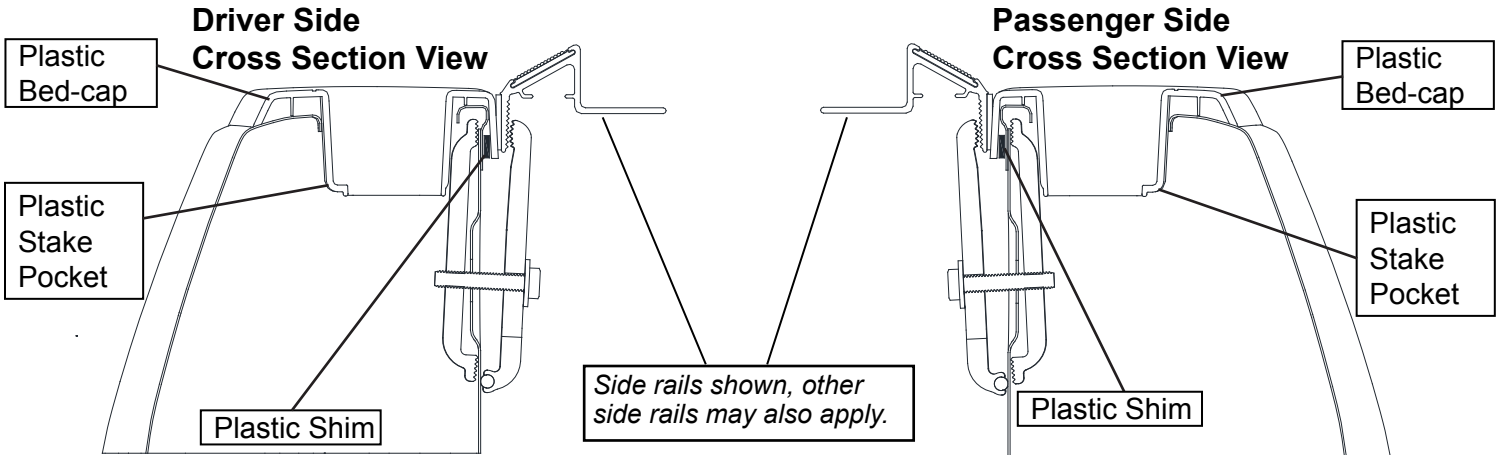
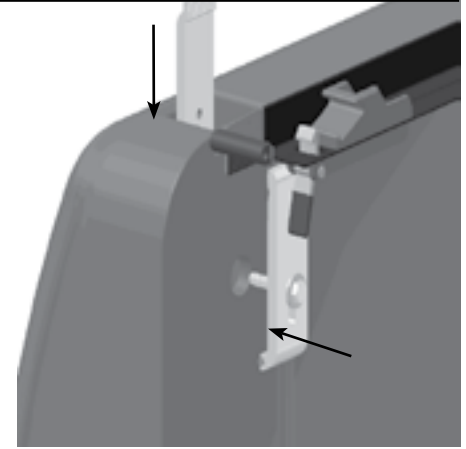


Item	Part #	Description
4.	1700428	VMI Flat Washer, 5/16"
5.	1703548	Cap Screw, 5/16"
6.	1704576	Stake Pocket Clamp
7.	1704583	Male Clamp
8.	1704585	Urethane Round (1704592 Assembled Clamp)

3 Insert stake pocket clamp half into stake pocket. Pull up slightly on bed cap cover to allow clamp to slip between plastic stake pocket and metal side rail. While holding stake pocket clamp half, insert male clamp half and bolt through the bolt hole of the stake pocket. Insert plastic shim in clamping location. Bolt clamp halves together and tighten.

CAUTION
Tighten clamp assemblies securely on side rails before driving vehicle. Torque all clamp bolts to 8 FT Lbs. +/-1

NOTE: Over torquing bolts may damage bed rail.



View showing stake pocket clamp correctly attached to the driver side rail and truck box.

View showing stake pocket clamp correctly attached to the passenger side rail and truck box.

CLAMPING INSTRUCTIONS FOR GM, SECONDARY METHOD

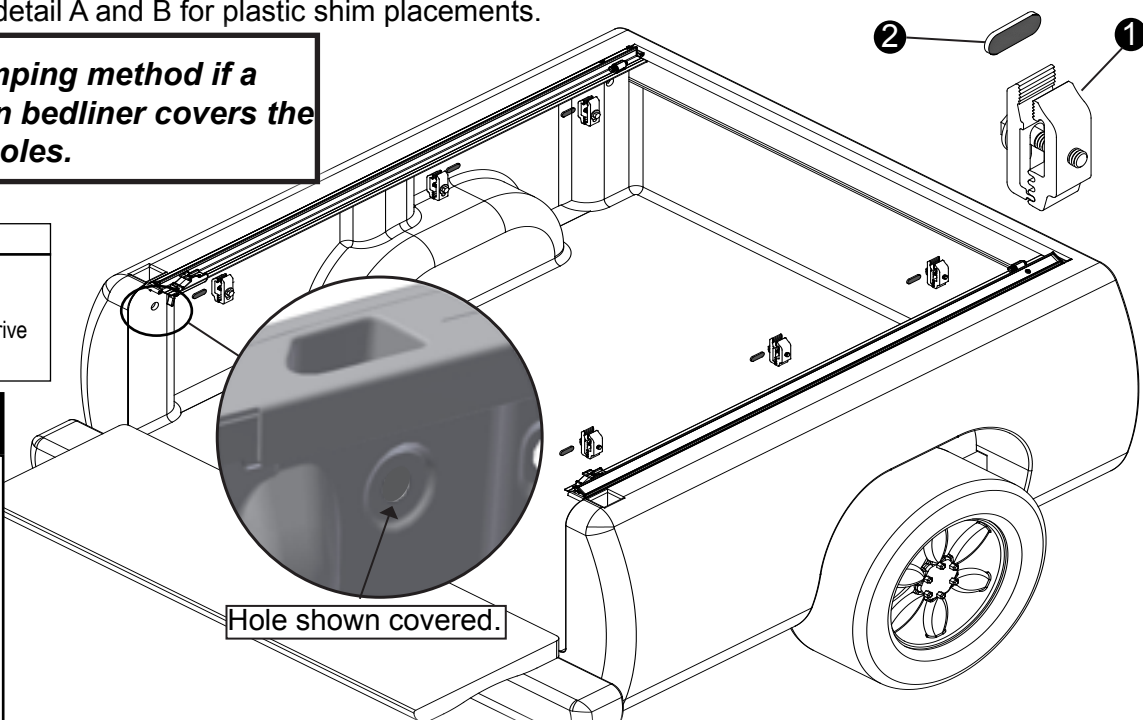
With side rails positioned as shown attach clamps and plastic shims to the side rails at the locations shown. Refer to detail A and B for plastic shim placements.

Use this clamping method if a spray-on, or drop-in bedliner covers the rear stake pocket holes.

Item	Part #	Description
1.	1112514	Clamps 6 Pack
2.	1117097	Shim Pack

Tools: 9/16 inch socket, 3/8's Drive Ratchet

CAUTION
Note: If your truck has aftermarket or factory bed caps, use plastic shims, part number 1117097. Failure to do so may cause side rail to not sit level and or could cause damage to the vehicle. Contact customer service for information regarding shim kit 1117097.



See front page for Detail "A" & "B" for clamping information.