

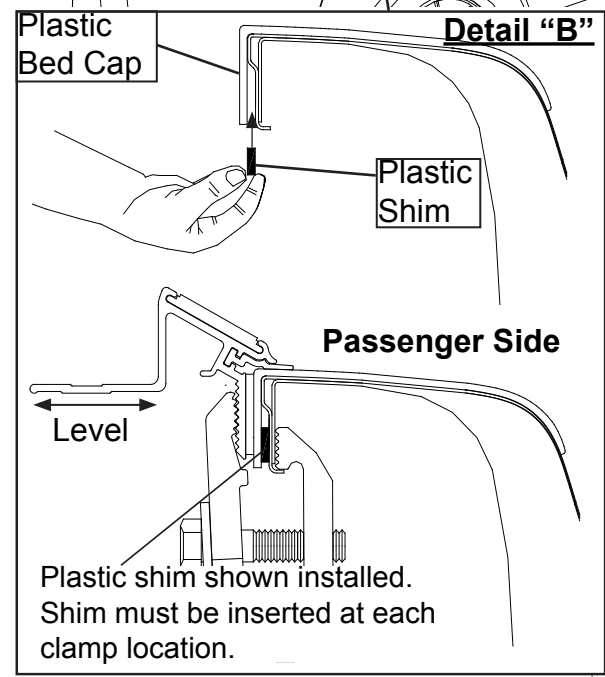
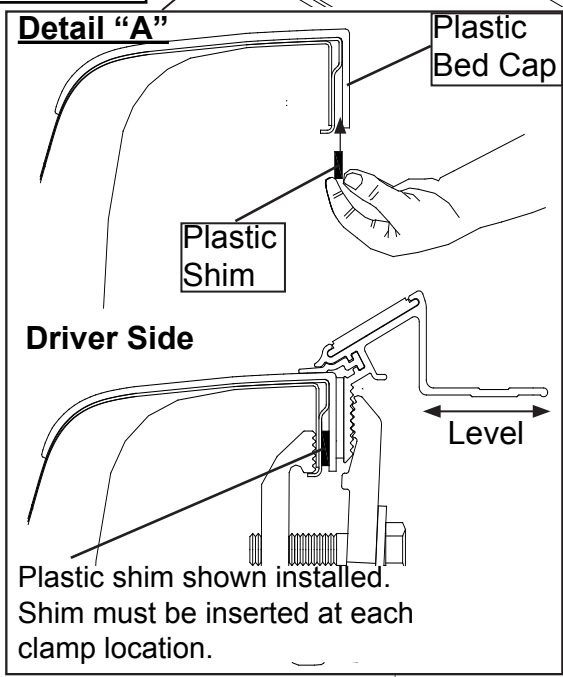
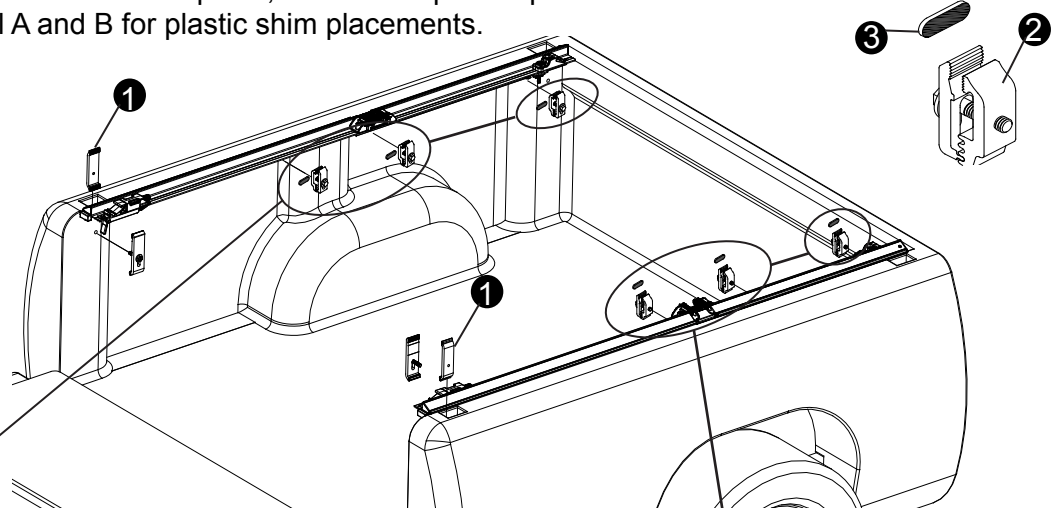
TRUXEDO® DEUCE 2 CLAMPING INSTRUCTIONS FOR GM KITS, PREFERRED METHOD

1 With the TruXedo Deuce side rails held in place, attach clamps and plastic shims to the side rails at the locations shown. Refer to detail A and B for plastic shim placements.

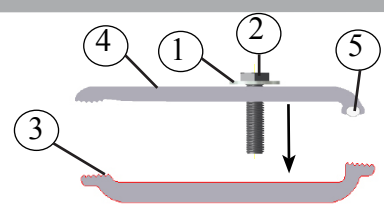
Item	Part #	Description
1.	1704586	Stake Pocket Clamp Assembly
2.	1117800	Clamps (8) Pack
3.	1117124	Shim Pack (8)

Tools 1/2 & 9/16 inch sockets, 3/8's Drive Ratchets

CAUTION
 Note: If your truck has aftermarket or factory side rail protectors, use plastic shims, part number 1117124. Failure to do so may cause side rail to not sit level and or could cause damage to the vehicle.

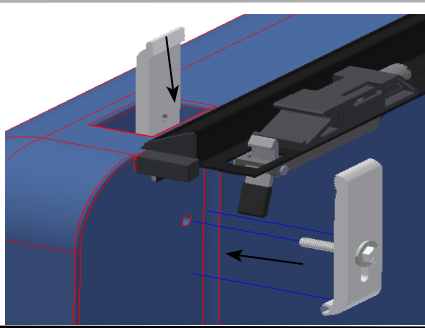


2 Disassemble stake pocket clamp assemblies by unscrewing the stake pocket clamp half from the female clamp half.



Item	Part #	Description
1.	1700428	VMI Flat Washer, 5/16"
2.	1703548	Cap Screw, 5/16"
3.	1704576	Stake Pocket Clamp
4.	1704583	Male Clamp
5.	1704585	Urethane Round (1704586 Assembled Clamp)

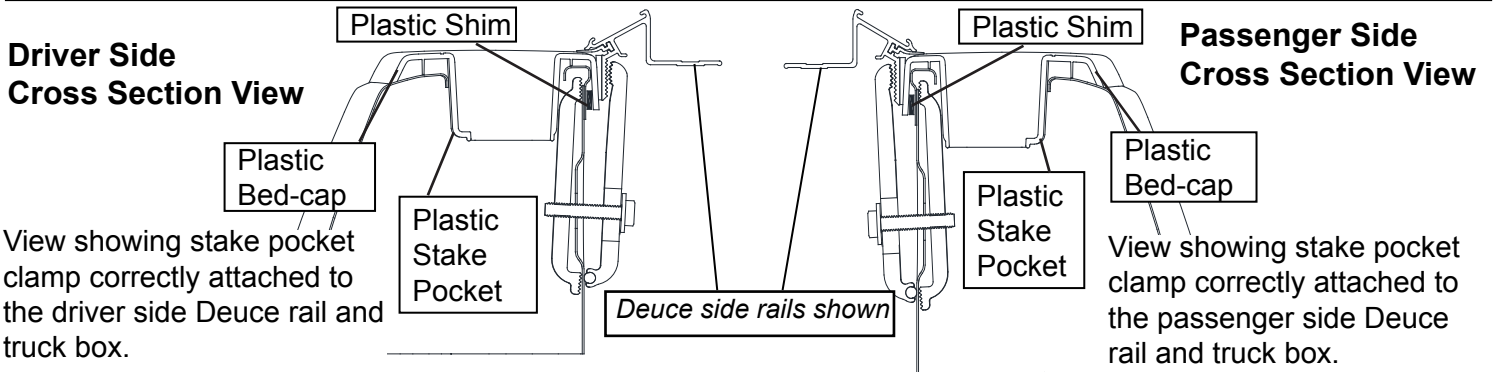
3 Insert stake pocket clamp half into stake pocket. Pull up slightly on bed cap cover to allow clamp to slip between plastic stake pocket and metal side rail. While holding stake pocket clamp half, insert male clamp half and bolt through the bolt hole of the stake pocket. Insert plastic shim in clamping location. Bolt clamp halves together and tighten.



CAUTION
 Tighten clamp assemblies securely on side rails before driving vehicle. Torque all clamp bolts to 8 FT Lbs. +/-1

NOTE: Over torquing bolts may damage bed rail.

TRUXEDO® DEUCE 2 CLAMPING INSTRUCTIONS FOR GM KITS, PREFERRED METHOD



TRUXEDO® DEUCE 2 CLAMPING INSTRUCTIONS FOR GM KITS, SECONDARY METHOD

1 With the TruXedo Deuce side rails held in place, attach clamps and plastic shims to the side rails at the locations shown. Refer to detail A and B for plastic shim placements.

Use this clamping method if a spray-on, or drop-in bedliner covers the rear stake pocket holes.

Item Part #	Description
1. 1117800	Clamps (8) Pack
2. 1117124	Shim Pack (8)
Tools 1/2 & 9/16 inch sockets, 3/8's Drive Ratchets	

CAUTION

Note: If your truck has aftermarket or factory side rail protectors, use plastic shims, part number 1117124. Failure to do so may cause side rail to not sit level and or could cause damage to the vehicle.

