

2007 OR NEWER TOYOTA TUNDRA WITH TRAC SYSTEM CLAMPING INSTRU-

Item Part # Description

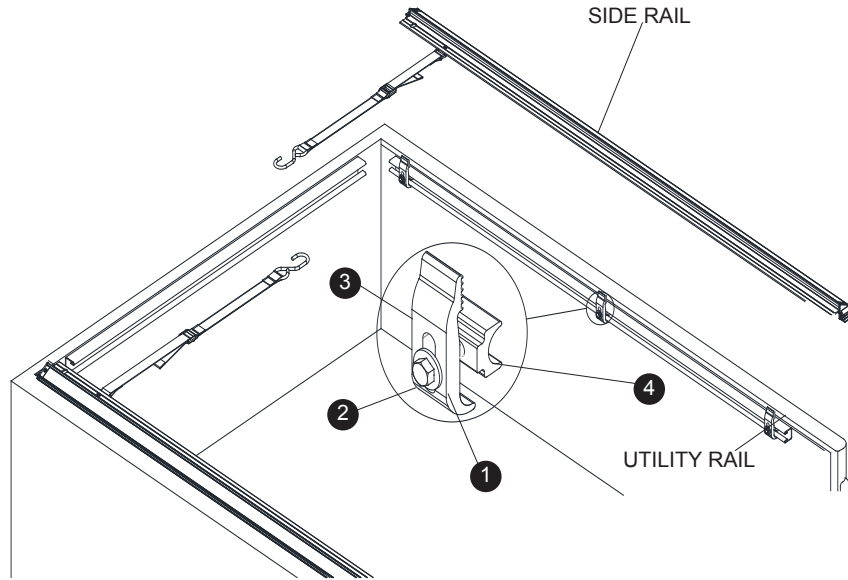
1. 1700428 Flat Washer, 5/16"
2. 1701208 Cap Screw
3. 1705360 Male Clamp
4. 1703889 Female Clamp

(1117972 Assembled Clamps)

Refer to Owner's Manual for complete instructions.

Tools Required:

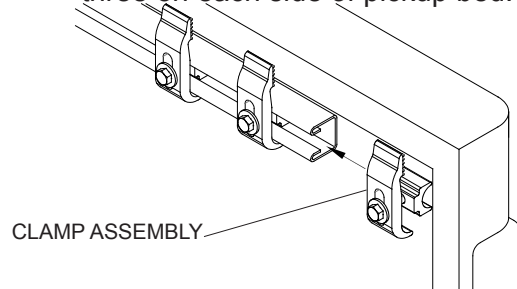
- 1/2" Wrench or Socket
- 3/8" Ratchet



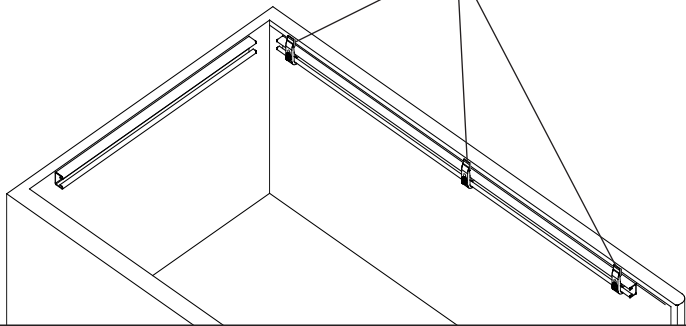
STEP 1: Remove rear utility rail end plugs.



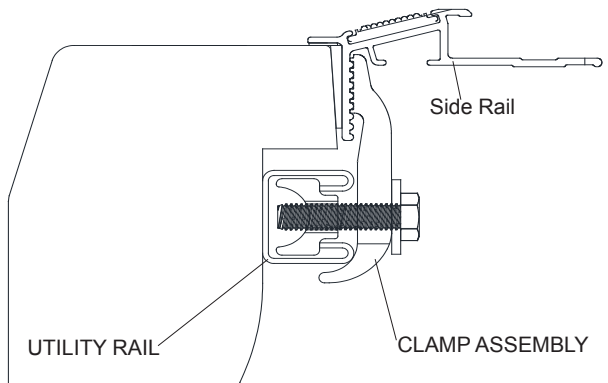
STEP 2: Insert clamp assemblies into utility rails, three on each side of pickup bed.



STEP 3: Evenly space 3 clamp assemblies along utility rail, do not tighten at this time.



STEP 4: Install side rails, refer to owner's manual for side rail placement.



STEP 5: Reinstall plastic end plugs.



NOTE: See Owner's Manual for cover installation.

⚠ CAUTION

Tighten clamp assemblies securely on side rails before driving vehicle.