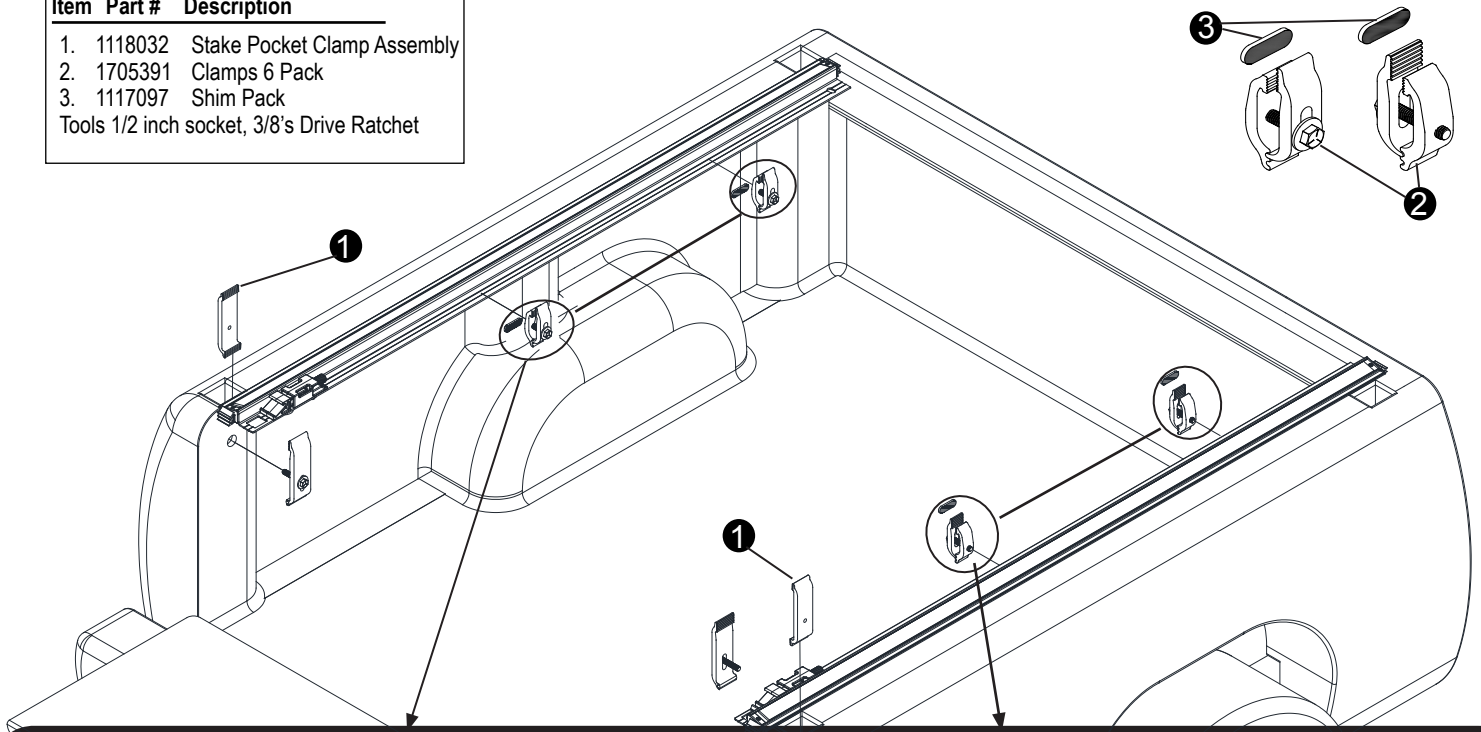


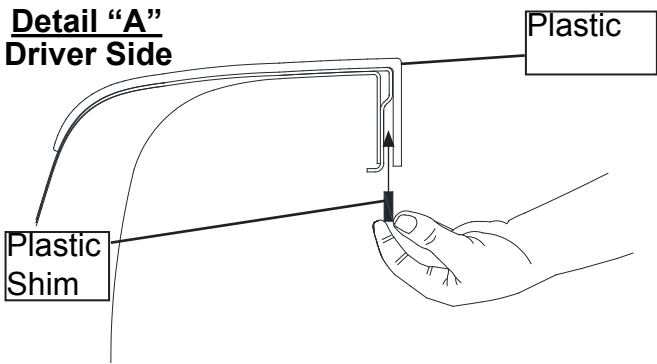
CLAMPING INSTRUCTIONS FOR GM 2014, PREFERRED METHOD

- 1** With side rails positioned as shown attach clamps and plastic shims to the side rails at the locations shown. Refer to detail A and B for plastic shim placements.

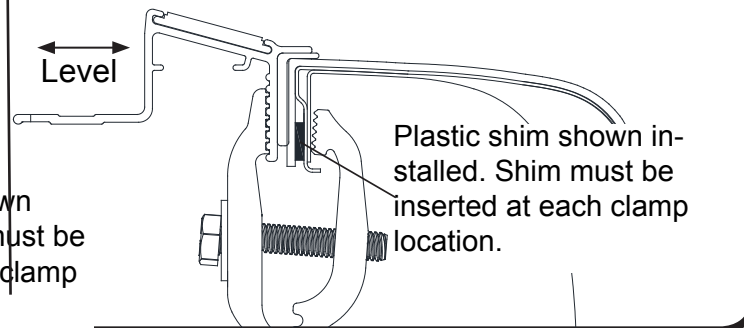
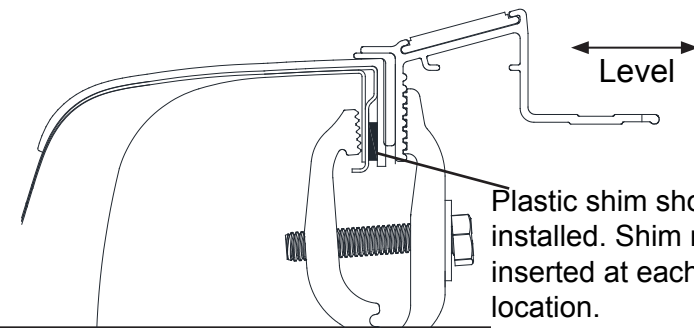
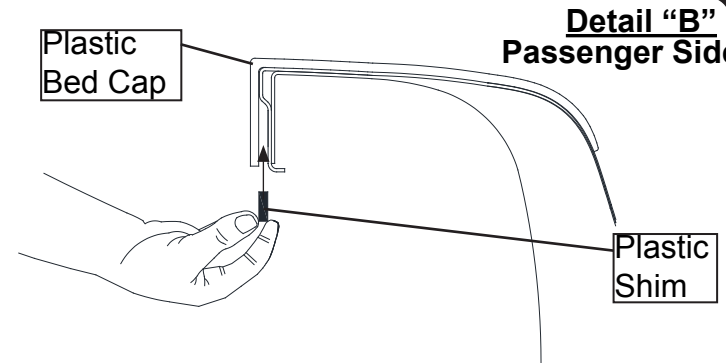
Item	Part #	Description
1.	1118032	Stake Pocket Clamp Assembly
2.	1705391	Clamps 6 Pack
3.	1117097	Shim Pack
Tools 1/2 inch socket, 3/8's Drive Ratchet		



Detail "A"
Driver Side

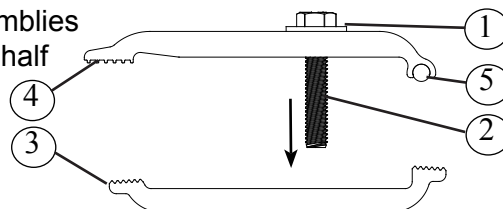


Detail "B"
Passenger Side



CLAMPING INSTRUCTIONS FOR GM 2014, PREFERRED METHOD

- 2** Disassemble stake pocket clamp assemblies by unscrewing the stake pocket clamp half from the female clamp half.



Item	Part #	Description
1.	1700428	VMI Flat Washer, 5/16"
2.	1703548	Cap Screw, 5/16"
3.	1704576	Female Clamp
4.	1705480	Male Clamp
5.	1704585	Urethane Round (1118032 Assembled Clamp)

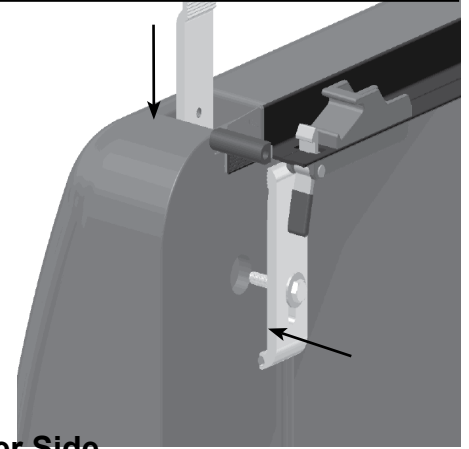
CLAMPING INSTRUCTIONS FOR GM 2014, PREFERRED METHOD

- 3** Insert stake pocket clamp half into stake pocket. Pull up slightly on bed cap cover to allow clamp to slip between plastic stake pocket and metal side rail. While holding stake pocket clamp half, insert male clamp half and bolt through the bolt hole of the stake pocket. Insert plastic shim in clamping location. Bolt clamp halves together and tighten.

CAUTION

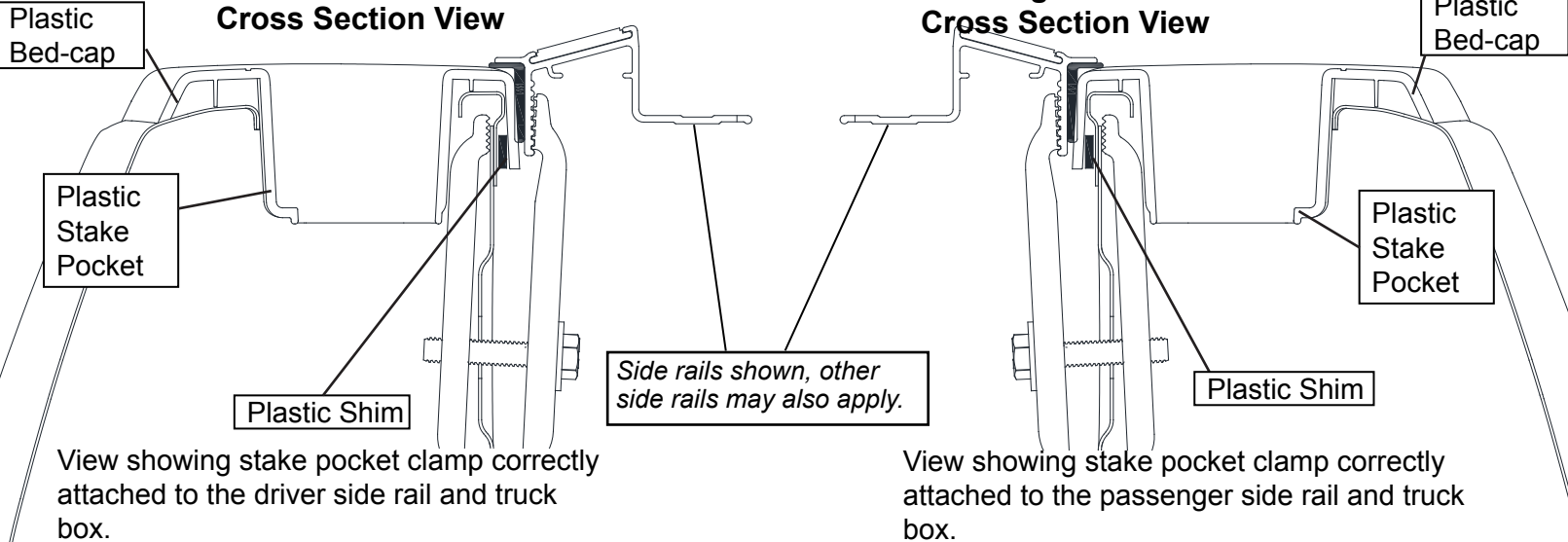
Tighten clamp assemblies securely on side rails before driving vehicle. Torque all clamp bolts to 8 FT Lbs. +/-1

NOTE: Over torquing bolts may damage bed rail.




Driver Side Cross Section View

Passenger Side Cross Section View



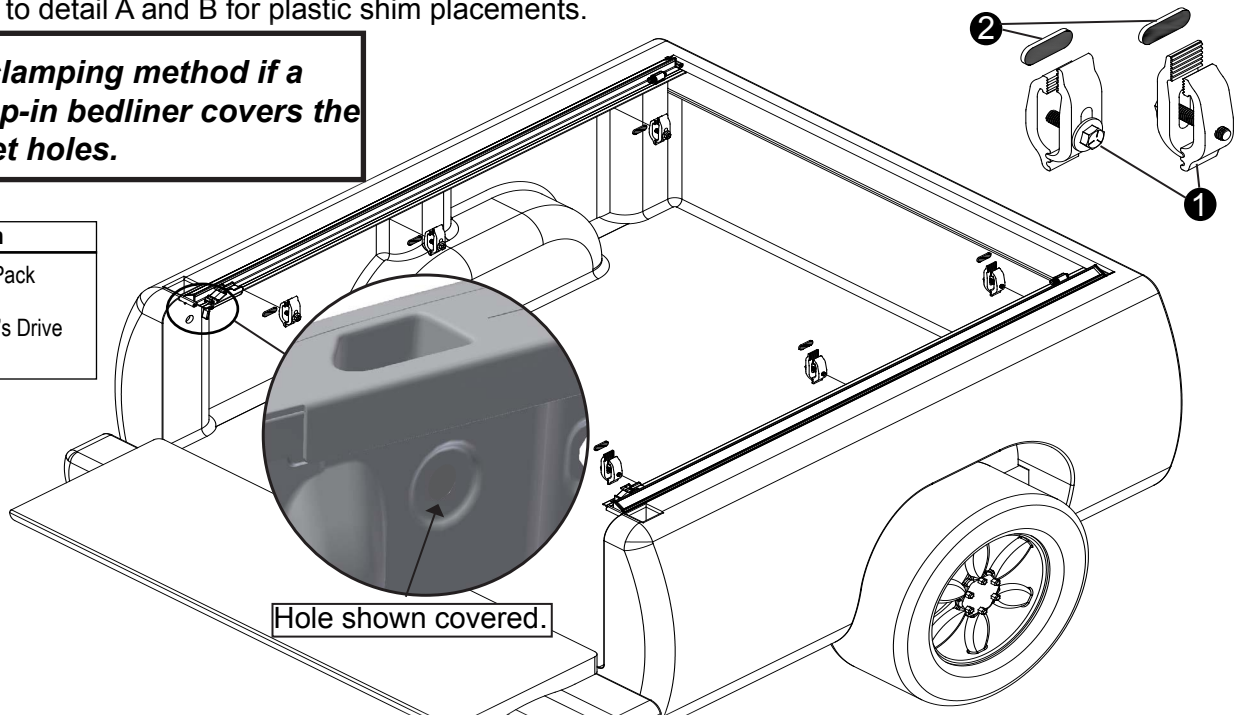
CLAMPING INSTRUCTIONS FOR GM 2014, SECONDARY METHOD

With side rails positioned as shown attach clamps and plastic shims to the side rails at the locations shown. Refer to detail A and B for plastic shim placements.

 **Use this clamping method if a spray-on, or drop-in bedliner covers the rear stake pocket holes.**

Item	Part #	Description
1.	1705391	Clamps 6 Pack
2.	1117097	Shim Pack

Tools: 1/2 inch socket, 3/8's Drive Ratchet



See front page for Detail "A" & "B" for clamping information.