

**LO PRO**

**Lo Pro Custom Covers by TruXedo**

PLEASE FILL IN ALL INFO BELOW

**TRUCK BED DETAILS:**

**L - Length\*:** \_\_\_\_\_

**W - Width Near Cab or toolbox:** \_\_\_\_\_

**W2 - Width Near Tailgate:** \_\_\_\_\_

**Make:** \_\_\_\_\_

**Model:** \_\_\_\_\_

**Year:** \_\_\_\_\_

**New or**  **Classic Body** (If Applicable)

**Bed Length without toolbox** \_\_\_\_\_

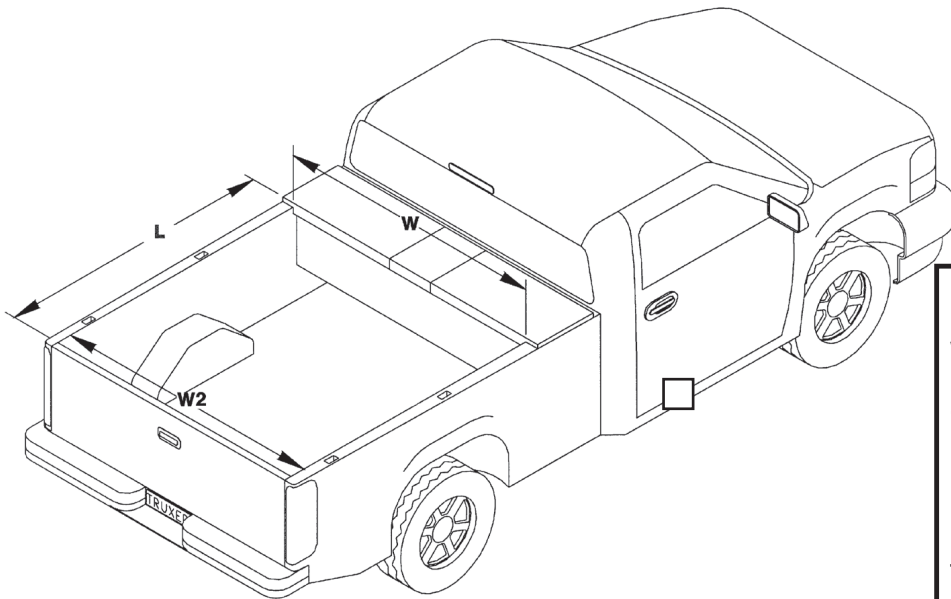
**COVER COLOR:**

- Black - 1
- Navy Blue - 2
- Buckskin - 4
- Charcoal Grey - 7
- Light Grey - 9

**DOES YOUR TRUCK HAVE:**

- Toolbox  Yes  No
- Bed Caps  Yes  No
- Over the rail bed liner  Yes  No
- Cargo track system  Yes  No

\*For pickups with toolboxes, length should be measured from face of toolbox to inside of tailgate.



**NOTE**

Measurements should be taken at the inside top of the bed, to the nearest 1/16"

**For Internal Use Only**

**WO #** \_\_\_\_\_

**Order #** \_\_\_\_\_

**Ship Date** \_\_\_\_\_

\_\_\_\_\_  
**Customer Service Assistant**

**Customer Name:** \_\_\_\_\_

**Street Address:** \_\_\_\_\_

**City:** \_\_\_\_\_ **State:** \_\_\_\_\_ **Zip:** \_\_\_\_\_

**Phone Number:** (       ) \_\_\_\_\_ **Fax:** (       ) \_\_\_\_\_